

Jinbo Marine

Marine & Offshore Equipment Datasheet

PRODUCT DATASHEET

MARINE EXPANSION JOINT

AFL Flange Type Sleeve Expansion Joint

ISO9001 Supplier

Class Certificate

Export Supply

No Name Quantity Material 1 Follower 1 QT400-15,Q235 2 ...



Key Highlights

Category	Marine Expansion Joint
Standard	EN
Material	No Name Quantity Material 1 Follower 1 QT400-15,Q235 2 Sleeve N QT400,Q2...
Weight / Size	No Name Quantity Material 1 Follower 1 QT400-15,Q235 2 Sleeve N QT400,Q2...
Certificate	ABS, LR, BV, DNVGL, NK, KR, IRS, RMRS, CCS

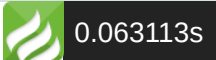
We can supply according to your requirement, drawings, class certificate needs, and delivery schedule.

Technical Specifications

Category	Marine Expansion Joint	Model / SKU	AFL-Flange-Type-Sleeve-Expansion-Joint
-----------------	------------------------	--------------------	--



Standard	EN	Material	No Name Quantity Material 1 Follower 1 QT400-15,Q235 2 Sleeve N QT400,Q235,304 3 Sealing Ring 1 NBR,NR,FPM 4 Bolt 1 QT400-15,Q235 5 Nut N Q235,35,304 AFL Flange Type Sleeve Expansion Joint Main Specifications DN Pipe O.D Length Flange connecting dimension 0.6MPa 1.0MPa 1.6MPa L1 L D D1 D D1 D D1 65 76 105 118 160 130 185 145 185 145 80 89 118 190 150 200 160 200 160 100 108 123 210 170 220 180 220 180 114 123 210 170 220 180 220 180 125 133 123 240 200 250 210 250 210 140 123 240 200 250 210 250 210 150 159 123 265 225 285 240 285 240 168 123 265 225 285 240 285 240 200 219 123 320 280 340 295 340 295 250 273 133 375 335 395 350 405 355 300 325 130 160 440 395 445 400 460 410 350 355 160 490 445 505 460 520 470 377 160 490 445 505 460 520 470 400 406 160 540 495 565 515 580 525 426 160 540 495 565 515 580 525 450 457 160 595 550 615 565 640 585 480 160 595 550 615 565 640 585 500 508 160 645 600 670 620 715 650 530 160 645 600 670 620 715 650 600 530 160 755 705 780 725 840 770 610 160 755 705 780 725 840 770 700 630 160 860 810 895 840 910 840 800 720 220 225 975 920 1015 950 1025 905 900 820 225 1075 1020 1115 1050 1125 1050 1000 920 225 1175 1120 1230 1160 1255 1170 1200 1020 225 1405 1340 1455 1380 1485 1390 1400 1220 270 1630 1560 1675 1590 1685 1590 1600 1420 270 1830 1760 1915 1820 1930 1820 1800 1620 270 2045 1970 2115 2020 2130 2020 2000 1820 270 2265 2180 2325 2230 2345 2230 2200 2220 275 2475 2390 2550 2440 2555 2440 2400 2420 275 2685 2600 2760 2650 2765 2650
----------	----	----------	--



Weight / Size

No Name Quantity Material 1
 Follower 1 QT400-15,Q235 2
 Sleeve N QT400,Q235,304 3
 Sealing Ring 1 NBR,NR,FPM 4
 Bolt 1 QT400-15,Q235 5 Nut N
 Q235,35,304 AFL Flange Type
 Sleeve Expansion Joint Main
 Specifications DN Pipe O.D
 Length Flange connecting
 dimension 0.6MPa 1.0MPa
 1.6MPa L1 L D D1 D D1 D D1 65
 76 105 118 160 130 185 145 185
 145 80 89 118 190 150 200 160
 200 160 100 108 123 210 170 220
 180 220 180 114 123 210 170 220
 180 220 180 125 133 123 240 200
 250 210 250 210 140 123 240 200
 250 210 250 210 150 159 123 265
 225 285 240 285 240 168 123 265
 225 285 240 285 240 200 219 123
 320 280 340 295 340 295 250 273
 133 375 335 395 350 405 355 300
 325 130 160 440 395 445 400 460
 410 350 355 160 490 445 505 460
 520 470 377 160 490 445 505 460
 520 470 400 406 160 540 495 565
 515 580 525 426 160 540 495 565
 515 580 525 450 457 160 595 550
 615 565 640 585 480 160 595 550
 615 565 640 585 500 508 160 645
 600 670 620 715 650 530 160 645
 600 670 620 715 650 600 530 160
 755 705 780 725 840 770 610 160
 755 705 780 725 840 770 700 630
 160 860 810 895 840 910 840 800
 720 220 225 975 920 1015 950
 1025 905 900 820 225 1075 1020
 1115 1050 1125 1050 1000 920
 225 1175 1120 1230 1160 1255
 1170 1200 1020 225 1405 1340
 1455 1380 1485 1390 1400 1220
 270 1630 1560 1675 1590 1685
 1590 1600 1420 270 1830 1760
 1915 1820 1930 1820 1800 1620
 270 2045 1970 2115 2020 2130
 2020 2000 1820 270 2265 2180
 2325 2230 2345 2230 2200 2220
 275 2475 2390 2550 2440 2555
 2440 2400 2420 275 2685 2600
 2760 2650 2765 2650

Certificate

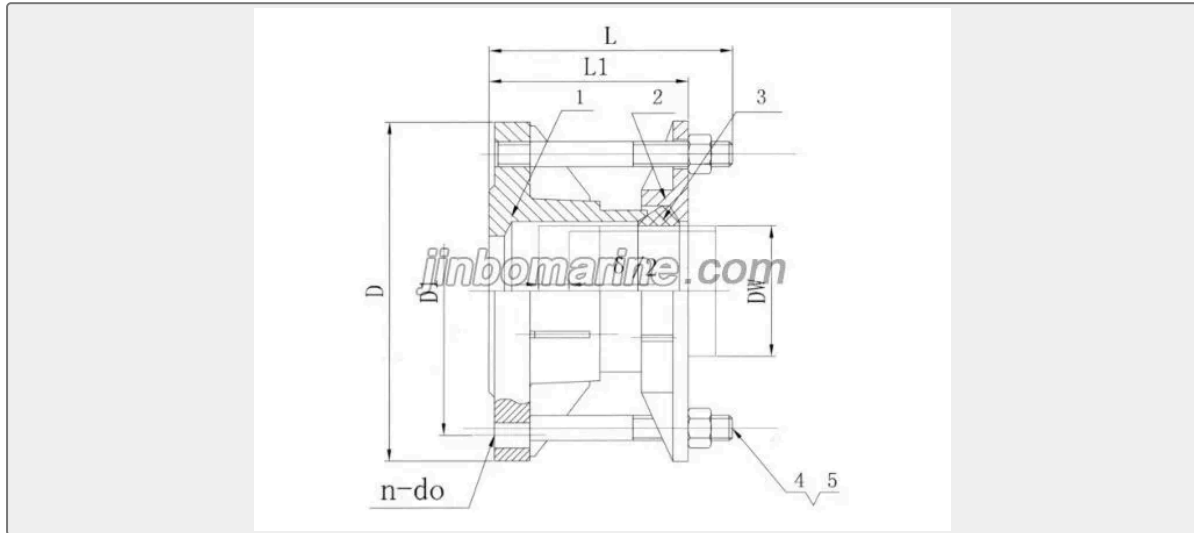
ABS, LR, BV, DNVGL, NK, KR,
 IRS, RMRS, CCS



Warranty	12 Months unless specified otherwise	Origin	China
-----------------	--------------------------------------	---------------	-------

CONTENTS	<ul style="list-style-type: none"> China AFL Flange Type Sleeve Expansion Joint: AFL Flange Type Sleeve Expansion Joint Main Specifications
-----------------	---

China AFL Flange Type Sleeve Expansion Joint:



No	Name	Quantity	Material
1	Follower	1	QT400-15,Q235
2	Sleeve	N	QT400,Q235,304
3	Sealing Ring	1	NBR,NR,FPM
4	Bolt	1	QT400-15,Q235
5	Nut	N	Q235,35,304

AFL Flange Type Sleeve Expansion Joint Main Specifications

DN	Pipe O.D	Length		Flange connecting dimension						
				0.6MPa		1.0MPa		1.6MPa		
		L1	L	D	D1	D	D1	D	D1	

65	76	105	118	160	130	185	145	185	145
80	89		118	190	150	200	160	200	160
100	108		123	210	170	220	180	220	180
	114		123	210	170	220	180	220	180
125	133		123	240	200	250	210	250	210
	140		123	240	200	250	210	250	210
150	159		123	265	225	285	240	285	240
	168		123	265	225	285	240	285	240
200	219		123	320	280	340	295	340	295
250	273		133	375	335	395	350	405	355
300	325	130	160	440	395	445	400	460	410
350	355		160	490	445	505	460	520	470
	377		160	490	445	505	460	520	470
400	406		160	540	495	565	515	580	525
	426		160	540	495	565	515	580	525
450	457		160	595	550	615	565	640	585
	480		160	595	550	615	565	640	585
500	508		160	645	600	670	620	715	650
	530		160	645	600	670	620	715	650
600	530		160	755	705	780	725	840	770
	610	160	755	705	780	725	840	770	
700	630	160	860	810	895	840	910	840	
800	720	220	225	975	920	1015	950	1025	905
900	820		225	1075	1020	1115	1050	1125	1050
1000	920		225	1175	1120	1230	1160	1255	1170
1200	1020		225	1405	1340	1455	1380	1485	1390
1400	1220		270	1630	1560	1675	1590	1685	1590
1600	1420		270	1830	1760	1915	1820	1930	1820
1800	1620		270	2045	1970	2115	2020	2130	2020
2000	1820		270	2265	2180	2325	2230	2345	2230
2200	2220		275	2475	2390	2550	2440	2555	2440
2400	2420		275	2685	2600	2760	2650	2765	2650