

# Jinbo Marine

Marine &amp; Offshore Equipment Datasheet

PRODUCT DATASHEET

## GENERAL EMERGENCY ALARM SYSTEM

# AN-3 General Emergency Alarm Button

AN-3 General Emergency Alarm Button Material: Fire retardant ABS Color: Sea gray ( B05 )  
 IP class:IP56 Weight: 0.5Kg Stuffing box cable entrance hole size: 1-Φ14mm (stainles...

ISO9001 Supplier

Class Certificate

Export Supply



### Key Highlights

Category	General Emergency Alarm System
Standard	EN
Material	AN-3 General Emergency Alarm Button Material:
Weight / Size	Sea gray ( B05 ) IP class:IP56 Weight:
Certificate	ABS, LR, BV, DNVGL, NK, KR, IRS, RMRS, CCS

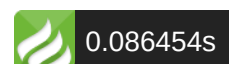
We can supply according to your requirement, drawings, class certificate needs, and delivery schedule.

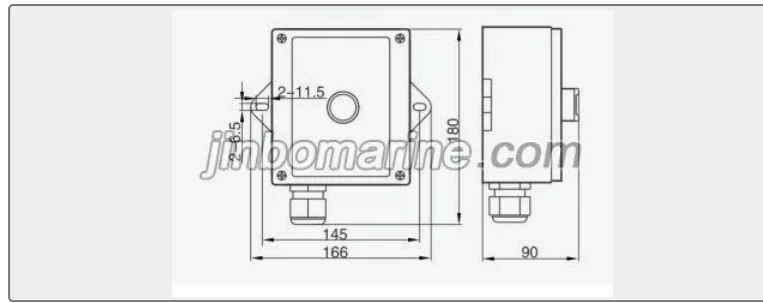
### Technical Specifications

Category	General Emergency Alarm System	Model / SKU	AN-3-General-Emergency-Alarm-Button
Standard	EN	Material	AN-3 General Emergency Alarm Button Material:
Weight / Size	Sea gray ( B05 ) IP class:IP56 Weight:	Certificate	ABS, LR, BV, DNVGL, NK, KR, IRS, RMRS, CCS
Warranty	12 Months unless specified otherwise	Origin	China

## China AN-3 General Emergency Alarm Button:

AN-3 General Emergency Alarm Button





Material: Fire retardant ABS

Color: Sea gray ( B05 )

IP class:IP56

Weight: 0.5Kg

Stuffing box cable entrance hole size: 1- $\Phi$ 14mm

(stainless steel box is optional FSX-3N)