

Jinbo Marine

Marine & Offshore Equipment Datasheet

PRODUCT DATASHEET

CHJ MAN OVERBOARD ALARM SYSTEM

AN-5 Start Button

AN-5 Start Button Color: Sea gray (B05) IP class:IP44 Weight:0.6Kg Stuffing box cable entrance hole size:1-Φ14mm

ISO9001 Supplier

Class Certificate

Export Supply



Key Highlights

Category	CHJ Man Overboard Alarm System
Standard	EN
Weight / Size	Sea gray (B05) IP class:IP44 Weight:0.6Kg Stuffing box cable entrance hol...
Certificate	ABS, LR, BV, DNVGL, NK, KR, IRS, RMRS, CCS

We can supply according to your requirement, drawings, class certificate needs, and delivery schedule.

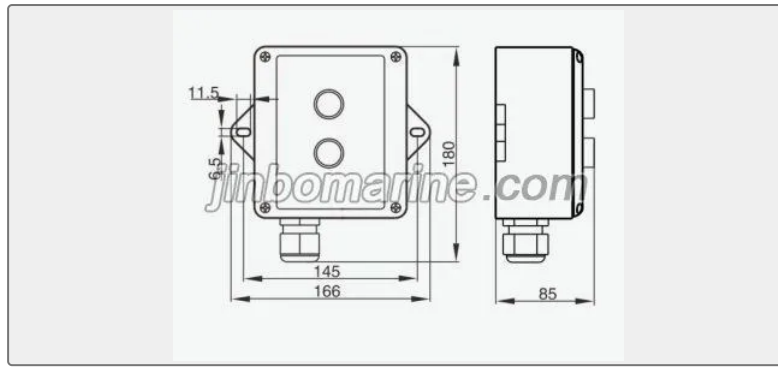
Technical Specifications

Category	CHJ Man Overboard Alarm System	Model / SKU	AN-5-Start-Button
Standard	EN	Weight / Size	Sea gray (B05) IP class:IP44 Weight:0.6Kg Stuffing box cable entrance hole size:1-Φ14mm
Certificate	ABS, LR, BV, DNVGL, NK, KR, IRS, RMRS, CCS	Warranty	12 Months unless specified otherwise
Origin	China		

China AN-5 Start Button:

AN-5 Start Button





Color: Sea gray (B05)

IP class:IP44

Weight:0.6Kg

Stuffing box cable entrance hole size:1- Φ 14mm