

# Jinbo Marine

Marine & Offshore Equipment Datasheet

PRODUCT DATASHEET

## CHJ MAN OVERBOARD ALARM SYSTEM

# AN-6G Reset Button

AN-6G Reset Button Color: Sea gray ( B05 ) IP class:IP44 Weight:0.5Kg Stuffing box cable entrance hole size:1-Φ14mm

ISO9001 Supplier

Class Certificate

Export Supply



### Key Highlights

<b>Category</b>	CHJ Man Overboard Alarm System
<b>Standard</b>	EN
<b>Weight / Size</b>	Sea gray ( B05 ) IP class:IP44 Weight:0.5Kg Stuffing box cable entrance hol...
<b>Certificate</b>	ABS, LR, BV, DNVGL, NK, KR, IRS, RMRS, CCS

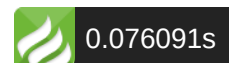
We can supply according to your requirement, drawings, class certificate needs, and delivery schedule.

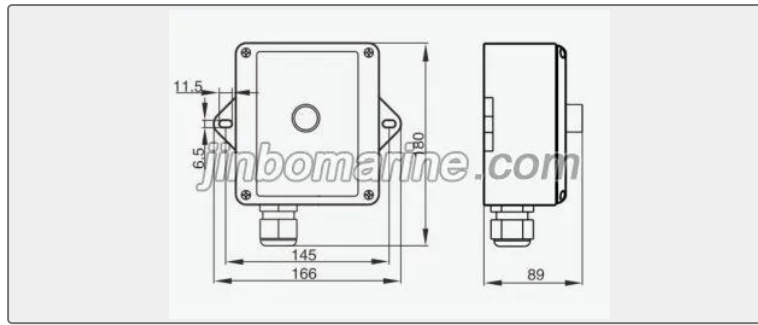
### Technical Specifications

<b>Category</b>	CHJ Man Overboard Alarm System	<b>Model / SKU</b>	AN-6G-Reset-Button
<b>Standard</b>	EN	<b>Weight / Size</b>	Sea gray ( B05 ) IP class:IP44 Weight:0.5Kg Stuffing box cable entrance hole size:1-Φ14mm
<b>Certificate</b>	ABS, LR, BV, DNVGL, NK, KR, IRS, RMRS, CCS	<b>Warranty</b>	12 Months unless specified otherwise
<b>Origin</b>	China		

## China AN-6G Reset Button:

AN-6G Reset Button





Color: Sea gray ( B05 )

IP class:IP44

Weight:0.5Kg

Stuffing box cable entrance hole size:1- $\Phi$ 14mm