

# Jinbo Marine

Marine & Offshore Equipment Datasheet

PRODUCT DATASHEET

GLOBE VALVE

## API Globe Valve

The Globe Valve is produced according to API standard in design, manufacturing, and inspection. It is compact in pattern, reliable in sealing and easy to operate. It is used in petroleum, chemical, electric power, textile...

- ISO9001 Supplier
- Class Certificate
- Export Supply



### Key Highlights

Category	Globe Valve
Standard	DIN
Material	Stainless Steel, WCB, Bronze
Weight / Size	Design Standard Face to Face Flange Dimension Butt Welding Dimension Pre...
Certificate	Mill Certificate

We can supply according to your requirement, drawings, class certificate needs, and delivery schedule.

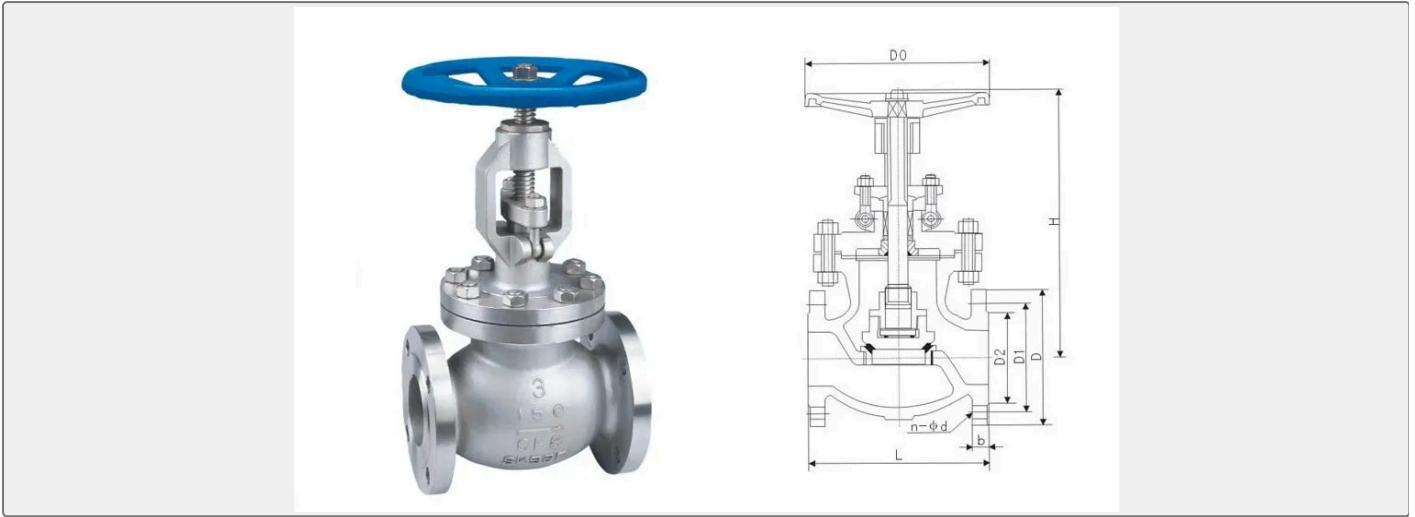
### Technical Specifications

Category	Globe Valve	Model / SKU	API-Globe-Valve
Standard	DIN	Material	Stainless Steel, WCB, Bronze
Weight / Size	Design Standard Face to Face Flange Dimension Butt Welding Dimension Pressure Temperature Test Standard BS1873 ANSI B16.10 ANSI B16.5 ANSI B16.25 ANSI B16.34 API 598 Test Pressure:	Certificate	Mill Certificate
Warranty	12 Months unless specified otherwise	Origin	China

<b>CONTENTS</b>	■ China API Globe Valve:	■ Standard:
	■ Test Pressure:	■ Main Parts & Material:
	■ Main Size List:	



## China API Globe Valve:



The Globe Valve is produced according to API standard in design, manufacturing, and inspection. It is compact in pattern, reliable in sealing and easy to operate. It is used in petroleum, chemical, electric power, textile, metallurgy and other industries.

## Standard:

Design Standard	Face to Face	Flange Dimension	Butt Welding Dimension	Pressure Temperature	Test Standard
BS1873	ANSI B16.10	ANSI B16.5	ANSI B16.25	ANSI B16.34	API 598

## Test Pressure:

Nominal Pressure (Lb)	Shell Strength Test		Water Seal Test		Air Seal Test	
	MPa	Lbf/in <sup>2</sup>	MPa	Lbf/in <sup>2</sup>	MPa	Lbf/in <sup>2</sup>
150	3	430	2.2	315	0.4-0.7	60-100
300	7.7	1110	5.7	815		
600	15.3	2220	11.3	630		
900	23	3330	17	2445		

## Main Parts & Material:

Body , Disc	Stem	Sealing Seat	Gasket	Packing	Working Temperature °C	Applicable Medium
-------------	------	--------------	--------	---------	------------------------	-------------------

WCB	2Cr13	13Cr,STL,Body Material, Nylon	Flexible Graphite,13Cr/Flexible Graphite, SFB-2,08 Mild Steel, F304, F316, F304L, F316L	Flexible Graphite, SFB/260, SFP/260, PTFE	≤425	Water, Steam, Oil
WC1	38CrMo Al 25Cr2M oV				≤425	
WC6					≤540	
WC9					≤570	
C5 C12					≤540	
CF8					F304	≤200
CF8 M	F316					
CF3	F304L					
CF3 M	F316L					

## Main Size List:

DN		150Lb ( RF ) ( mm )								Weight(kg s)
mm	in	L	D	D1	D2	b	n-φd	H	D0	
15	1/2	108	89	60.5	35	11.2	4-16	241	100	6.9
20	3/4	117	98	69.9	43	12.7	4-16	241	100	9.8
25	1	127	108	79.2	51	14.2	4-16	242	125	13.5
32	1 1/4	140	117	89	63	16	4-16	280	160	19.5
40	1 1/2	165	127	98.6	73	17.5	4-16	286	160	28.5
50	2	203	152	120.7	92	19	4-19	368	200	18
65	2 1/2	216	178	139.7	105	22.4	4-19	387	200	30
80	3	241	190	152.4	127	24	4-19	411	250	41
100	4	292	229	190.5	157	24	4-19	454	250	64
125	5	356	254	216.0	186	24	8-22.5	455	350	86
150	6	406	279	241.3	216	25.4	8-22.5	541	350	113

200	8	495	343	298.5	270	28.4	8-22.5	651	450	178
250	10	622	406	362.0	324	30.2	12-25.4	800	450	270
300	12	698	483	431.8	381	32	12-25.4	1231	600	350
350	14	787	533	476.3	413	35	12-29	1450	600	460
400	16	914	597	539.8	470	36.6	26-29	1645	600	590

DN		300Lb ( RF ) ( mm )								Weight(kg s)
15	1/2	152	95	66.5	35	14.2	4-16	241	140	7.7
20	3/4	178	117	82.5	43	16	4-19	241	140	11.3
25	1	203	123	89	51	17.5	4-19	283	160	16.8
32	1 1/4	216	133	98.5	63	19	4-19	320	200	21.2
40	1 1/2	229	155	114.3	73	20.6	4-22.5	322	200	32.6
50	2	267	165	127	92	22.4	8-19	399	200	25
65	2 1/2	292	190	149.4	105	25.4	8-22.5	438	250	30
80	3	318	210	168.1	127	28.4	8-22.5	464	280	35
100	4	356	254	200.2	157	31.8	8-22.5	565	350	56
125	5	400	279	235	186	35	8-22.5	614	350	96
150	6	444	318	269.7	216	36.6	12-25.4	717	400	120
200	8	559	381	330.2	270	41.2	12-25.4	930	500	212
250	10	622	444	387.4	324	47.8	16-28.5	1012	550	330
300	12	711	521	450.8	381	50.8	16-32	1231	600	472
350	14	762	584	514.4	413	54	20-32	1450	600	715
400	16	864	648	571.5	470	57.2	20-35	1645	600	920