

Jinbo Marine

Marine & Offshore Equipment Datasheet

PRODUCT DATASHEET

GATE VALVE

API Stainless Steel Gate Valve

Standard: Design Standard Face to Face Flange Dimension Butt Welding Dimension
Pressure Temperature Standard Inspection and ...

ISO9001 Supplier

Class Certificate

Export Supply



Key Highlights

Category	Gate Valve
Standard	DIN
Material	Stainless Steel
Weight / Size	Design Standard Face to Face Flange Dimension Butt Welding Dimension Pre...
Certificate	Mill Certificate

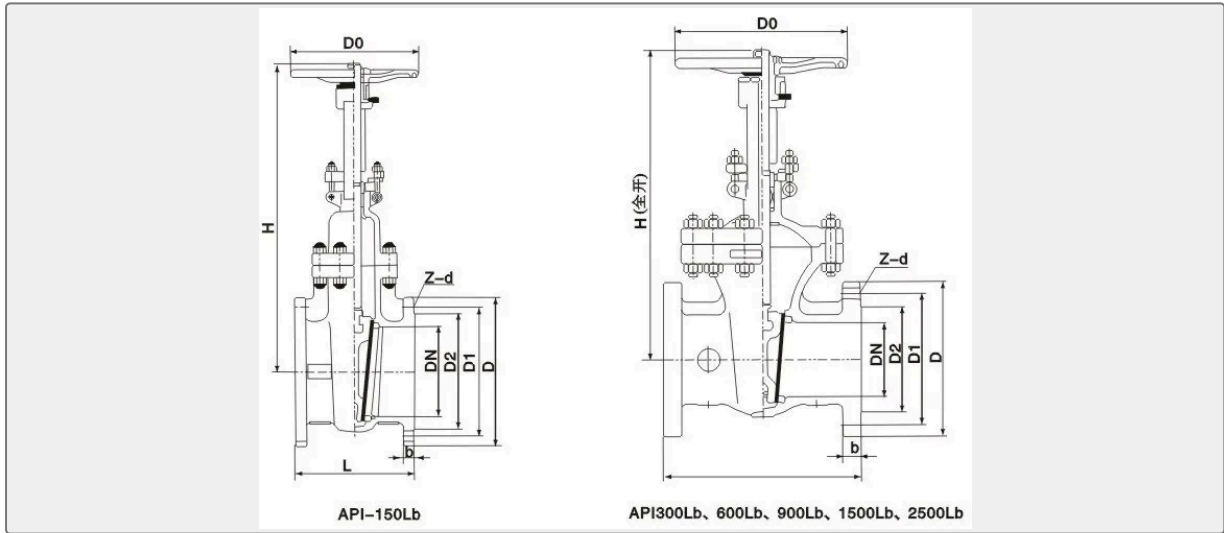
We can supply according to your requirement, drawings, class certificate needs, and delivery schedule.

Technical Specifications

Category	Gate Valve	Model / SKU	API-Stainless-Steel-Gate-Valve
Standard	DIN	Material	Stainless Steel
Weight / Size	Design Standard Face to Face Flange Dimension Butt Welding Dimension Pressure Temperature Standard Inspection and Test Standard API 600 ANSI B16.0 ANSI B16.5 ANSI B16.25 ANSI B16.34 API 598 API 6D API 6D ANSI B16.5 ANSI B16.25 ANSI B16.34 API 6D Test Pressure:	Certificate	Mill Certificate
Warranty	12 Months unless specified otherwise	Origin	China

CONTENTS

- Standard:
- Main Parts & Material:
- DN 150Lb (RF) Main Size (mm) Weight (kg) mm in
 L D D1 D2 b Z-φd H D0 15 1/2 108 89 60.5 35 11.2 4-16
 169 100 5 20 3/4 117 98 69.9 43 12.7 4-16 192 100 6.1
 25 1 127 108 79.2 51 14.2 4-16 230 120 9 32 1-1/4 140
 117 89 63 16 4-16 246 120 12 40 1-1/2 165 127 98.6 73
 17.5 4-16 283 150 17 50 2 178 152 120.7 92 19 4-19
 323 150 23 65 2-1/2 190.5 178 139.7 105 22.4 4-19 347
 180 45 80 3 230 190 152.4 127 24 4-19 383 200 50 100
 4 229 229 190.5 157 24 8-19 457 200 63 125 5 254 254
 216 186 24 8-22.5 632 250 89 150 6 267 279 241.5 216
 25.4 8-22.5 635 250 108 200 8 292 343 298.5 270 28.4
 8-22.5 762 280 171 250 10 330 406 362 324 30.2 12-
 25.4 892 300 263 300 12 356 483 431.8 381 32 12-25.4
 1080 350 346 350 14 381 533 476.3 413 35 12-29 1295
 350 488 400 16 406 597 539.8 470 36.6 16-29 1435
 400 621 450 18 432 635 577.9 533 39.6 16-32 1626
 400 814 500 20 457 398 635 584 43 20-32 1829 450
 992 600 24 508 813 749.3 692 48.8 20-35 2175 500
 1492 650 26 559 786 744.5 711 51.3 36-22.5 2235 550
 1801 700 28 610 837 795.3 762 44.5 40-22.5 2310 600
 1933 750 30 610 887 846 813 44.5 44-22.5 2695 600
 2272 800 32 660 941 900 864 46 48-22.5 3708 -- -- 900
 36 711 1057 1009.7 927 52.3 40-25.4 3924 -- -- 1000
 40 812 1175 1120.6 1080 55.6 44-25.4 4318 -- --
- Test Pressure:
- Main Size List for 150Lb:



Standard:

Design Standard	Face to Face	Flange Dimension	Butt Welding Dimension	Pressure Temperature Standard	Inspection and Test Standard
API 600	ANSI B16.0	ANSI B16.5	ANSI B16.25	ANSI B16.34	API 598
API 6D	API 6D	ANSI B16.5	ANSI B16.25	ANSI B16.34	API 6D

Test Pressure:

Nominal Pressure (Lb)	Shell Strength Test		Water Seal Test		Air Seal Test	
	MPa	Lbf/in2	MPa	Lbf/in2	MPa	Lbf/in2

150	3	430	2.2	315	0.4-0.7	60-100
300	7.7	1110	5.7	815		
600	15.3	2220	11.3	630		
900	23	3330	17	2445		

Main Parts & Material:

Body, Disc	Stem	Sealing Seat	Gasket	Packing	Working Temperature °C	Applicable Medium
WCB	2Cr13	13Cr, STL, Body Material, Nylon	Flexible Graphite, 13Cr/Flexible Graphite, SFB-2, 08 Mild Steel, F304, F316, F304L, F316L	Flexible Graphite, SFB/260, SFP/260, PTFE	≤425	Water, Steam, Oil
WC1	38CrMoAl 25Cr2MoV				≤425	
WC6					≤540	
WC9					≤570	
C5 C12					≤540	
CF8					F304	≤200
CF8M	F316					
CF3	F304L					
CF3M	F316L					

Main Size List for 150Lb:

DN		150Lb (RF) Main Size (mm)								Weight (kg)
mm	in	L	D	D1	D2	b	Z-φd	H	D0	
15	1/2	108	89	60.5	35	11.2	4-16	169	100	5
20	3/4	117	98	69.9	43	12.7	4-16	192	100	6.1
25	1	127	108	79.2	51	14.2	4-16	230	120	9
32	1-1/4	140	117	89	63	16	4-16	246	120	12
40	1-1/2	165	127	98.6	73	17.5	4-16	283	150	17
50	2	178	152	120.7	92	19	4-19	323	150	23
65	2-1/2	190.5	178	139.7	105	22.4	4-19	347	180	45
80	3	230	190	152.4	127	24	4-19	383	200	50
100	4	229	229	190.5	157	24	8-19	457	200	63
125	5	254	254	216	186	24	8-22.5	632	250	89

150	6	267	279	241.5	216	25.4	8-22.5	635	250	108
200	8	292	343	298.5	270	28.4	8-22.5	762	280	171
250	10	330	406	362	324	30.2	12-25.4	892	300	263
300	12	356	483	431.8	381	32	12-25.4	1080	350	346
350	14	381	533	476.3	413	35	12-29	1295	350	488
400	16	406	597	539.8	470	36.6	16-29	1435	400	621
450	18	432	635	577.9	533	39.6	16-32	1626	400	814
500	20	457	398	635	584	43	20-32	1829	450	992
600	24	508	813	749.3	692	48.8	20-35	2175	500	1492
650	26	559	786	744.5	711	51.3	36-22.5	2235	550	1801
700	28	610	837	795.3	762	44.5	40-22.5	2310	600	1933
750	30	610	887	846	813	44.5	44-22.5	2695	600	2272
800	32	660	941	900	864	46	48-22.5	3708	--	--
900	36	711	1057	1009.7	927	52.3	40-25.4	3924	--	--
1000	40	812	1175	1120.6	1080	55.6	44-25.4	4318	--	--

*If you need the size for 300Lb, 600Lb, 900Lb, 1500Lb, 2500Lb, pls contact us.