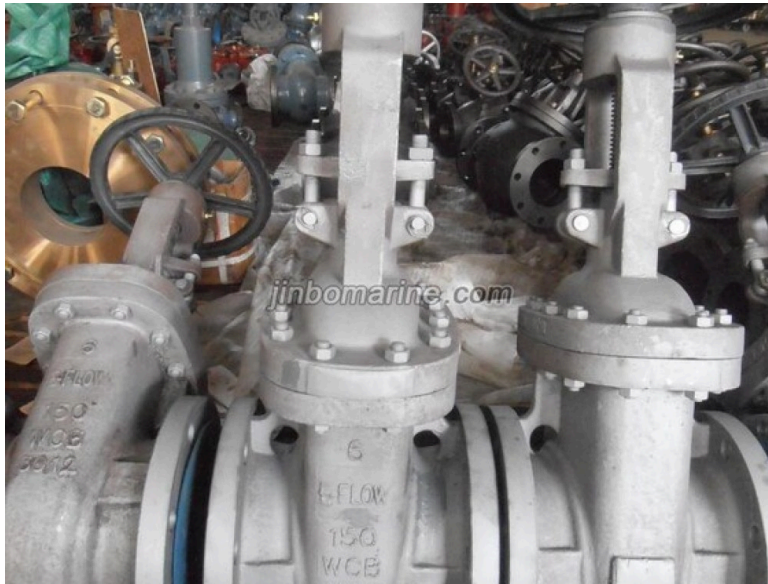


**GATE VALVE**

# API WCB Gate Valve

WCB API Gate Valve is used on the pipeline with the temperature -29 ~ 425°C, the medium is water, steam and oil. The operation way can be manual, worm gear and electric. Standard: Design Standard...

- ISO9001 Supplier
- Class Certificate
- Export Supply



## Key Highlights

<b>Category</b>	Gate Valve
<b>Standard</b>	DIN
<b>Material</b>	WCB
<b>Weight / Size</b>	Design Standard Face to Face Flange Dimension Butt Welding Dimension Pre...
<b>Certificate</b>	Mill Certificate

We can supply according to your requirement, drawings, class certificate needs, and delivery schedule.

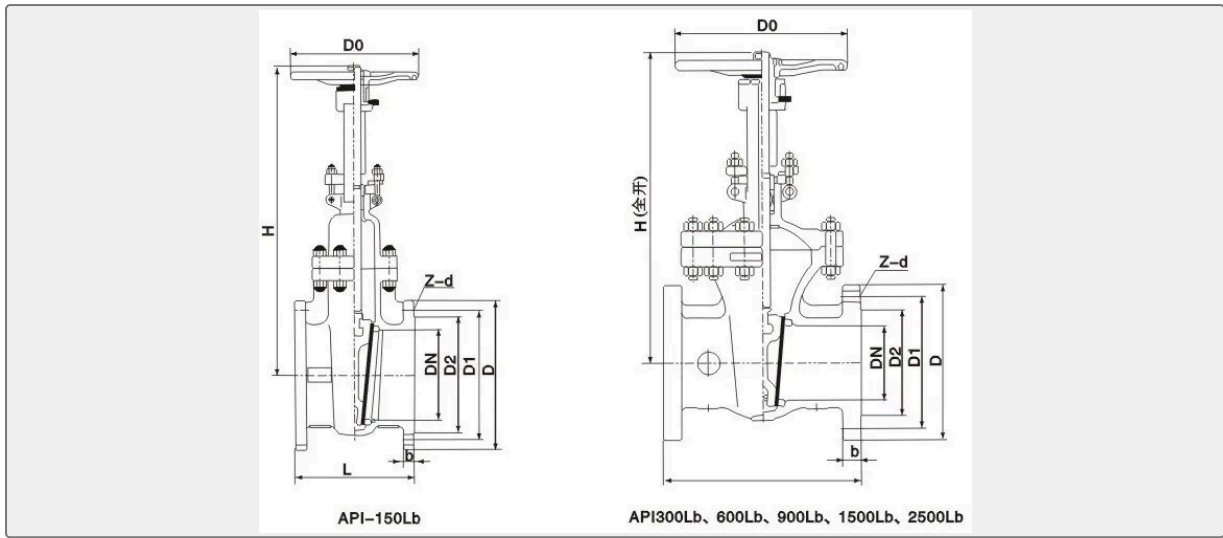
## Technical Specifications

<b>Category</b>	Gate Valve	<b>Model / SKU</b>	API-WCB-Gate-Valve
<b>Standard</b>	DIN	<b>Material</b>	WCB
<b>Weight / Size</b>	Design Standard Face to Face Flange Dimension Butt Welding Dimension Pressure Temperature Standard Inspection and Test Standard API 600 ANSI B16.0 ANSI B16.5 ANSI B16.25 ANSI B16.34 API 598 API 6D API 6D ANSI B16.5 ANSI B16.25 ANSI B16.34 API 6D Test Pressure:	<b>Certificate</b>	Mill Certificate
<b>Warranty</b>	12 Months unless specified otherwise	<b>Origin</b>	China

<b>CONTENTS</b>	<ul style="list-style-type: none"> <li>■ China API WCB Gate Valve:</li> <li>■ Test Pressure:</li> <li>■ Main Size List for 150Lb:</li> </ul>	<ul style="list-style-type: none"> <li>■ Standard:</li> <li>■ Main Parts &amp; Material:</li> </ul>
-----------------	--	---



## China API WCB Gate Valve:



WCB API Gate Valve is used on the pipeline with the temperature -29 ~ 425°C, the medium is water, steam and oil. The operation way can be manual, worm gear and electric.

## Standard:

Design Standard	Face to Face	Flange Dimension	Butt Welding Dimension	Pressure Temperature Standard	Inspection and Test Standard
API 600	ANSI B16.0	ANSI B16.5	ANSI B16.25	ANSI B16.34	API 598
API 6D	API 6D	ANSI B16.5	ANSI B16.25	ANSI B16.34	API 6D

## Test Pressure:

Nominal Pressure (Lb)	Shell Strength Test		Water Seal Test		Air Seal Test	
	MPa	Lbf/in2	MPa	Lbf/in2	MPa	Lbf/in2
150	3	430	2.2	315	0.4-0.7	60-100
300	7.7	1110	5.7	815		
600	15.3	2220	11.3	630		
900	23	3330	17	2445		

## Main Parts & Material:

- 1.Body, Bonnet---ASTM A216 WCB
- 2.Stem---ASTM A182 F6
- 3.Disc---ASTM A216 WCB+ASTM A182 F6
- 4.Packing---Stainless Steel+flexible graphite
5. Bolt---A193 B7
6. Nut---A194 2H



## 7.Handwheel---ASTM A47

**Main Size List for 150Lb:**

DN		150Lb ( RF ) Main Size ( mm )								Weight (kg)
mm	in	L	D	D1	D2	b	Z-φd	H	D0	
15	1/2	108	89	60.5	35	11.2	4-16	169	100	5
20	3/4	117	98	69.9	43	12.7	4-16	192	100	6.1
25	1	127	108	79.2	51	14.2	4-16	230	120	9
32	1-1/4	140	117	89	63	16	4-16	246	120	12
40	1-1/2	165	127	98.6	73	17.5	4-16	283	150	17
50	2	178	152	120.7	92	19	4-19	323	150	23
65	2-1/2	190.5	178	139.7	105	22.4	4-19	347	180	45
80	3	230	190	152.4	127	24	4-19	383	200	50
100	4	229	229	190.5	157	24	8-19	457	200	63
125	5	254	254	216	186	24	8-22.5	632	250	89
150	6	267	279	241.5	216	25.4	8-22.5	635	250	108
200	8	292	343	298.5	270	28.4	8-22.5	762	280	171
250	10	330	406	362	324	30.2	12-25.4	892	300	263
300	12	356	483	431.8	381	32	12-25.4	1080	350	346
350	14	381	533	476.3	413	35	12-29	1295	350	488
400	16	406	597	539.8	470	36.6	16-29	1435	400	621
450	18	432	635	577.9	533	39.6	16-32	1626	400	814
500	20	457	398	635	584	43	20-32	1829	450	992
600	24	508	813	749.3	692	48.8	20-35	2175	500	1492
650	26	559	786	744.5	711	51.3	36-22.5	2235	550	1801
700	28	610	837	795.3	762	44.5	40-22.5	2310	600	1933
750	30	610	887	846	813	44.5	44-22.5	2695	600	2272
800	32	660	941	900	864	46	48-22.5	3708	--	--
900	36	711	1057	1009.7	927	52.3	40-25.4	3924	--	--
1000	40	812	1175	1120.6	1080	55.6	44-25.4	4318	--	--

\*If you need the size for 300Lb, 600Lb, 900Lb, 1500Lb, 2500Lb, pls contact us.