

CHECK VALVE

API Wafer Dual Plate Check Valve

Wafer Dual Plate Check Valve is also called as Wafer Dual Disc Check Valve, Wafer Butterfly Check Valve. Standard: Design Standard: API 594/API 6D , ISO 14313 Temperature & Pressure: ASME B16.34 Face to F...

- ISO9001 Supplier
- Class Certificate
- Export Supply



Key Highlights

Category	Check Valve
Standard	ISO
Material	WCB, Stainless Steel
Certificate	Mill Certificate



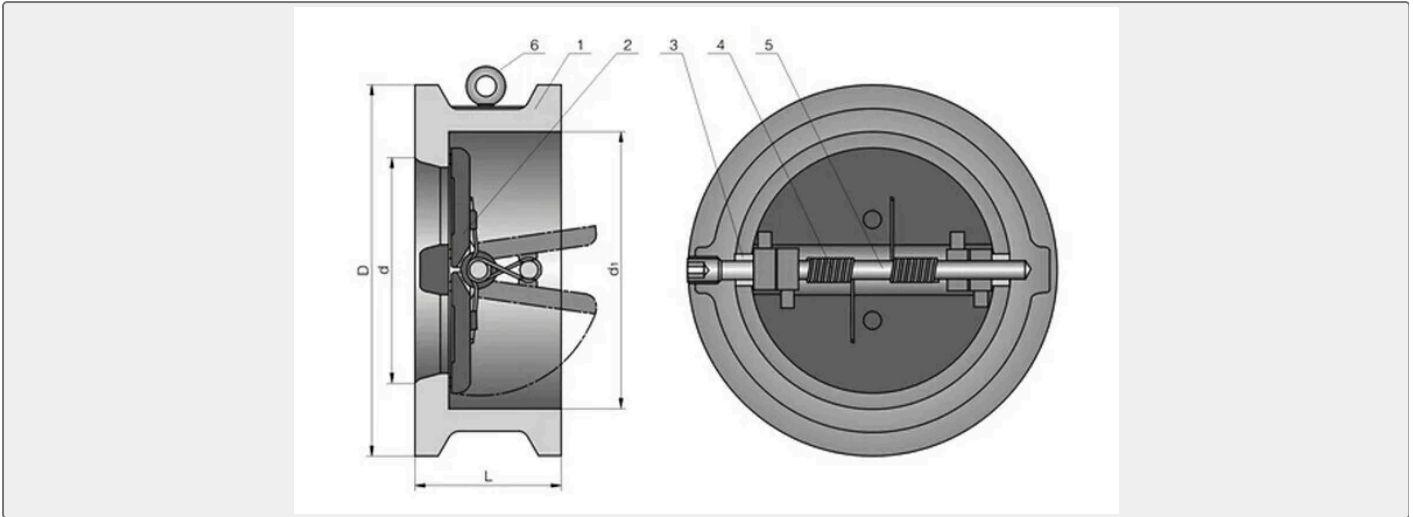
We can supply according to your requirement, drawings, class certificate needs, and delivery schedule.

Technical Specifications

Category	Check Valve	Model / SKU	API-Wafer-Dual-Plate-Check-Valve
Standard	ISO	Material	WCB, Stainless Steel
Certificate	Mill Certificate	Warranty	12 Months unless specified otherwise
Origin	China		

CONTENTS	■ China API Wafer Dual Plate Check Valve:	■ Standard:
	■ Test Pressure:	■ Material:

China API Wafer Dual Plate Check Valve:



Wafer Dual Plate Check Valve is also called as Wafer Dual Disc Check Valve, Wafer Butterfly Check Valve.

Standard:

Design Standard: API 594/API 6D , ISO 14313

Temperature & Pressure: ASME B16.34

Face to Face: ASME B 16.10

Flange Standard: ASME B 16.5

Test Standard: API 598

Test Pressure:

Nominal Pressure (Lb)	Shell Strength Test		Water Seal Test		Air Seal Test	
	MPa	Lbf/in2	MPa	Lbf/in2	MPa	Lbf/in2
150	3	430	2.2	315	0.4-0.7	60-100
300	7.7	1110	5.7	815		
600	15.3	2220	11.3	630		
900	23	3330	17	2445		

Material:

No	Part Name	ASTM Material							
		Carbon Steel	1.25Cr-0.5Mo	2.25Cr-1Mo	304 Type	316 Type	304L Type	316L Type	20 Alloy
1	Body	A216WC B	A217 WC6	A217WC9	A351CF8	A351 CF8M	A351CF3	A351 CF3M	A351 CN7M
2	Plate	WCB+ 13Cr *1	A217 WC6+HF	A217 WC9+H F	A351 CF8	A351 CF8M	A351 CF3	A351 CF3M	A351 CN7M
3	Stop Pin	A276 410	A276 410	A276 410	A276 304	A276 316	A276 304L	A276 316L	A276 304



4	Back Spring	Si-Mn steel	Cr-V Steel	Cr-V Steel	A313 304	A313 316	Inconel 750	Inconel 750	Incone 1750
5	Hinge Pin	A276 410	A276 410	A276 410	A276 304	A276 316	A276 304L	A276 316L	20-Alloy
6	Eyebolt	Carbon Steel	Carbon Steel	Carbon Steel	Carbon Steel+Zn	Carbon Steel+Zn	Carbon Steel+Zn	Carbon Steel+Zn	Carbon Steel+Zn
Seat Face	13Cr*1	HF	HF	NA	NA	NA	NA	NA	
*1	PN≥600Class seal face will be HF								
Na	Intergral with vessell								