

Jinbo Marine

Marine & Offshore Equipment Datasheet

PRODUCT DATASHEET

MARINE AUTOMATIC TELEPHONE SYSTEM

AXX-1 Shoreline Connection Box

AXX-1 Shoreline Connection Box 1)Chapter 1 of Part 4 of the " Steel Ship Classification Rules" of the China Classification Society; 2)YD/T729-94 method for automatic exchanger network access; 3)GF002-9002.4 techn...

ISO9001 Supplier

Class Certificate

Export Supply



Key Highlights

Category	Marine Automatic Telephone System
Standard	EN
Material	AXX-1 Shoreline Connection Box 1)Chapter 1 of Part 4 of the " Steel Ship...
Certificate	ABS, LR, BV, DNVGL, NK, KR, IRS, RMRS, CCS

We can supply according to your requirement, drawings, class certificate needs, and delivery schedule.

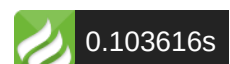
Technical Specifications

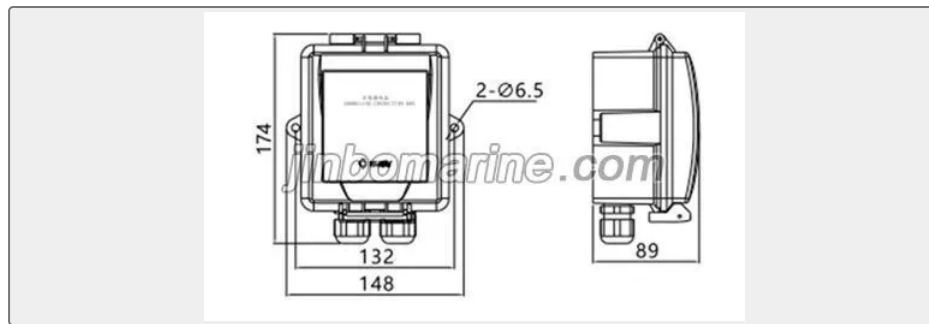
Category	Marine Automatic Telephone System	Model / SKU	AXX-1-Shoreline-Connection-Box
Standard	EN	Material	AXX-1 Shoreline Connection Box 1)Chapter 1 of Part 4 of the " Steel Ship Classification Rules" of the China Classification Society;
Certificate	ABS, LR, BV, DNVGL, NK, KR, IRS, RMRS, CCS	Warranty	12 Months unless specified otherwise
Origin	China		

China AXX-1 Shoreline Connection Box:

AXX-1 Shoreline Connection Box

- 1)Chapter 1 of Part 4 of the " Steel Ship Classification Rules" of the China Classification Society;
- 2)YD/T729-94 method for automatic exchanger network access;
- 3)GF002-9002.4 technique specification for automatic exchanger equipments in technical ministry of posts and tele communication.





Colour:Dull black

Shell material: ABS

Cable gland: PG16

Connect auto-telephone exchanger to shoreline telephone together