

Jinbo Marine

Marine & Offshore Equipment Datasheet

PRODUCT DATASHEET

MARINE STOCK ANCHOR

Admiralty Anchor

Admiralty Anchor is two arms on one end of shank, stock is on the other hand of shank, which is ninety degrees to the arms. The weight is from 50KGS to 10000KGS.

ISO9001 Supplier

Class Certificate

Export Supply



Key Highlights

| | |
|---------------|--|
| Category | Marine Stock Anchor |
| Standard | EN |
| Material | Casting Steel |
| Weight / Size | from 50KGS to 10000KGS |
| Certificate | ABS, LR, BV, DNV, GL, RINA, NK, KR, RS, IRS, CCS |

We can supply according to your requirement, drawings, class certificate needs, and delivery schedule.

Technical Specifications

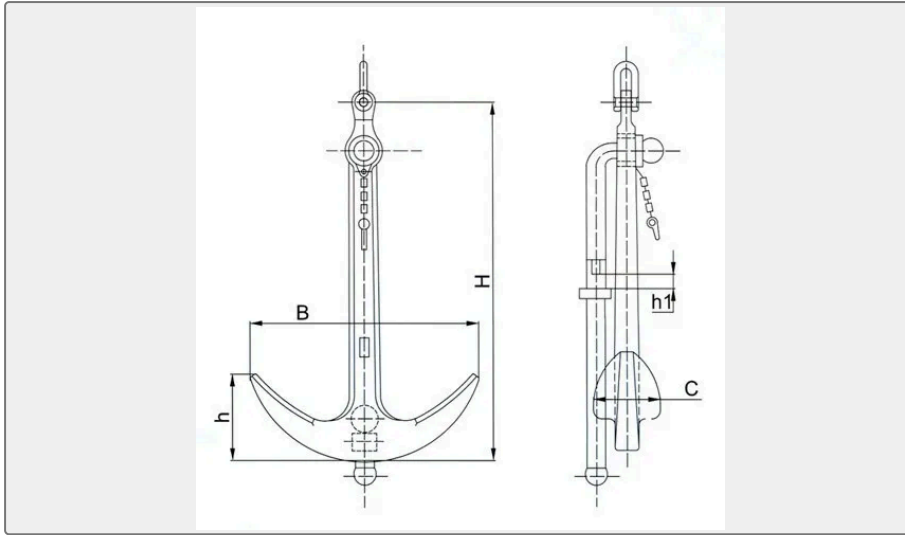
| | | | |
|---------------|--------------------------------------|-------------|--|
| Category | Marine Stock Anchor | Model / SKU | Admiralty-Anchor |
| Standard | EN | Material | Casting Steel |
| Weight / Size | from 50KGS to 10000KGS | Certificate | ABS, LR, BV, DNV, GL, RINA, NK, KR, RS, IRS, CCS |
| Warranty | 12 Months unless specified otherwise | Origin | China |

CONTENTS

- China Admiralty Anchor:
- Dimension Table:
- Technical Specification:
- Remarks:



China Admiralty Anchor:



Admiralty Anchor

Admiralty Anchor is two arms on one end of shank, stock is on the other hand of shank, which is ninety degrees to the arms. The weight is from 50KGS to 10000KGS.

If you have special requirement, please contact us.

Technical Specification:

Material: Casting Steel

Weight: 60KGS-2500KGS

Classification: LR, ABS, DNV, GL, BV, NK, KR, IRS and CCS Certificate.

Dimension Table:

| Nominal Weight (KG) | Size(mm) | | | | |
|---------------------|----------|-----|----|------|-----|
| | H | h | h1 | B | C |
| 50 | 960 | 230 | 42 | 635 | 185 |
| 75 | 1105 | 266 | 45 | 710 | 210 |
| 100 | 1215 | 296 | 49 | 780 | 230 |
| 125 | 1310 | 316 | 52 | 840 | 245 |
| 150 | 1395 | 336 | 55 | 900 | 265 |
| 200 | 1535 | 370 | 61 | 990 | 290 |
| 250 | 1650 | 398 | 65 | 1065 | 310 |
| 300 | 1755 | 423 | 70 | 1105 | 330 |
| 400 | 1930 | 465 | 77 | 1240 | 365 |
| 500 | 2080 | 502 | 84 | 1335 | 390 |
| 600 | 2210 | 533 | 89 | 1440 | |



| | | | | | |
|-------|------|------|-----|------|------|
| 700 | 2330 | 560 | 93 | 1500 | 440 |
| 800 | 2435 | 587 | 97 | 1570 | 460 |
| 900 | 2530 | 610 | 101 | 1630 | 475 |
| 1000 | 2620 | 611 | 104 | 1685 | 495 |
| 1250 | 2825 | 680 | 112 | 1810 | 535 |
| 1500 | 3000 | 725 | 118 | 1955 | 565 |
| 2000 | 3300 | 797 | 131 | 2140 | 625 |
| 2500 | 3550 | 857 | 138 | 2270 | 672 |
| 3000 | 3780 | 912 | 150 | 2415 | 715 |
| 3500 | 3980 | 960 | 158 | 2540 | 750 |
| 4000 | 4160 | 1000 | 155 | 2650 | 785 |
| 5000 | 4480 | 1100 | 184 | 2830 | 800 |
| 6000 | 4740 | 1113 | 190 | 3000 | 438 |
| 7000 | 5025 | 1180 | 200 | 3165 | 960 |
| 8000 | 5240 | 1280 | 210 | 3300 | 980 |
| 9000 | 5450 | 1330 | 220 | 3440 | 990 |
| 10000 | 5680 | 1340 | 230 | 3600 | 1085 |

300KGS Admiralty Anchor



Remarks:

The Specification or Size may not meet your request, if you don't find the information your need, please send your request by email or inquiry form below, we will check and revert with you shortly, thanks for your attention.