

Jinbo Marine

Marine & Offshore Equipment Datasheet

PRODUCT DATASHEET

CB MARINE AIR PIPE HEAD

Air Pipe Head CB/T3594-94 Type C/CS

Air Pipe Head CB/T3594-94 Type C/CS is Sounding & Ventilation Air Pipe Head. Air Pipe Head is called air vent head, air pipe joint. It is a kind of check valve used on the air pipe system of oil or water t...

ISO9001 Supplier

Class Certificate

Export Supply



Key Highlights

Category	CB Marine Air Pipe Head
Standard	DIN
Material	Cast Iron
Weight / Size	Cast Iron HT200 Type Name Size Application A/AS Mushroom Air Pipe Head 5...
Certificate	ABS, LR, BV, DNVGL, NK, KR, IRS, RMRS, CCS

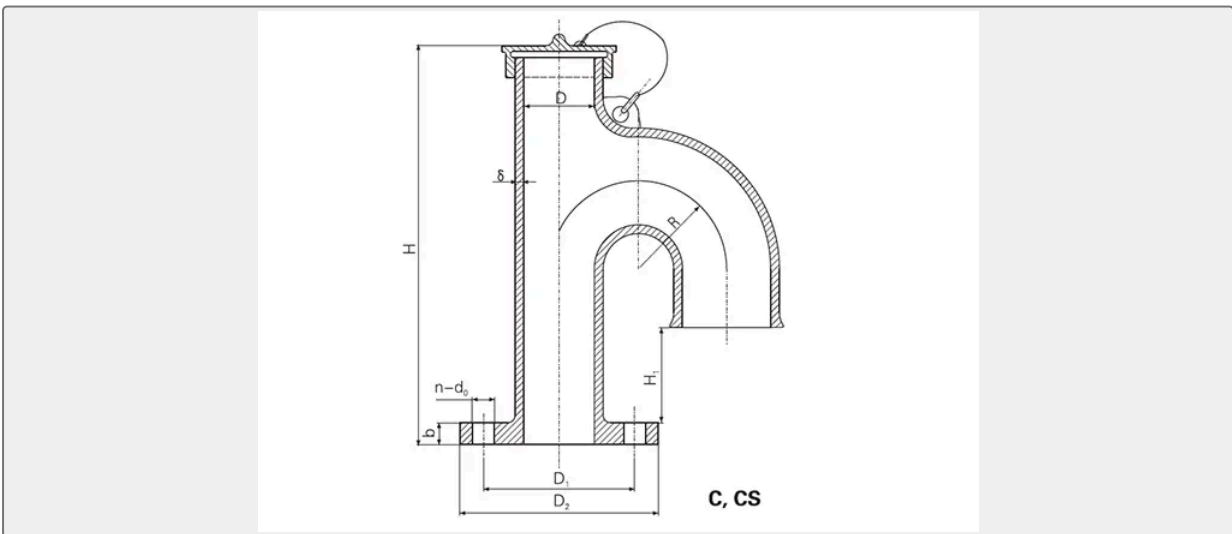
We can supply according to your requirement, drawings, class certificate needs, and delivery schedule.



Technical Specifications			
Category	CB Marine Air Pipe Head	Model / SKU	Air-Pipe-Head-CB-T3594-94-Type-C-CS
Standard	DIN	Material	Cast Iron
Weight / Size	Cast Iron HT200 Type Name Size Application A/AS Mushroom Air Pipe Head 50--250 on the air pipe top of oil & water tank B/BS Gooseneck Air Pipe Head C/CS Sounding & Ventilation Air Pipe Head 50--100 D/DS Float Disc Type Air Pipe Head for Oil Tank 50-450 on the air pipe top of oil tank E/ES Float Disc Type Air Pipe Head for Water Tank on the air pipe top of water tank FS Float Ball Type Air Pipe Head for oil & water Tank on the air pipe top of oil & water tank Main Size List for C/CS Type(mm):	Certificate	ABS, LR, BV, DNVGL, NK, KR, IRS, RMRS, CCS
Warranty	12 Months unless specified otherwise	Origin	China

CONTENTS	■ China Air Pipe Head CB/T3594-94 Type C/CS:	■ Technical Specification:
	■ Main Size List for C/CS Type(mm):	

China Air Pipe Head CB/T3594-94 Type C/CS:



Air Pipe Head CB/T3594-94 Type C/CS is Sounding & Ventilation Air Pipe Head.

Air Pipe Head is called air vent head, air pipe joint. It is a kind of check valve used on the air pipe system of oil or water tank in the vessels and the offshore drilling platform. There are the types A/AS, B/BS, C/CS, D/DS, E/ES, FS 0.065976s

Technical Specification:

Standard: CB/T3594-94, GB1858-80, CBM1105-81, CBM1106-81

Material: Cast Iron HT200

Type	Name	Size	Application
A/AS	Mushroom Air Pipe Head	50--250	on the air pipe top of oil & water tank
B/BS	Gooseneck Air Pipe Head		
C/CS	Sounding & Ventilation Air Pipe Head	50--100	
D/DS	Float Disc Type Air Pipe Head for Oil Tank	50-450	on the air pipe top of oil tank
E/ES	Float Disc Type Air Pipe Head for Water Tank		on the air pipe top of water tank
FS	Float Ball Type Air Pipe Head for oil & water Tank		on the air pipe top of oil & water tank

Main Size List for C/CS Type(mm):

DN	H	H1	D	R	δ	D2	D1	b	n	d0	Weight
50	280	80	60	60	6	135	103	15	6	15	4.1
50	280	80	60	60	6	140	110	16	4	14	4.54
80	310	80	90	80	7.5	170	138	14	8	15	9.01
80	310	80	90	80	7.5	190	150	18	4	18	9.2
100	270	80	103	100	8	190	158	14	8	15	12.9
100	270	80	103	100	8	210	170	18	4	18	13.11