

Jinbo Marine

Marine & Offshore Equipment Datasheet

PRODUCT DATASHEET

MARINE WINDOW

Aluminum Opening Side Scuttle without Deadlight

ISO9001 Supplier

Class Certificate

Export Supply

Side Scuttles for Ships Details: Standard: GB/T14413-93 It is also be called as porthole, the material can be aluminum, copper or steel, is used for sea-going ships and warships, also can be used for inland s...



Key Highlights

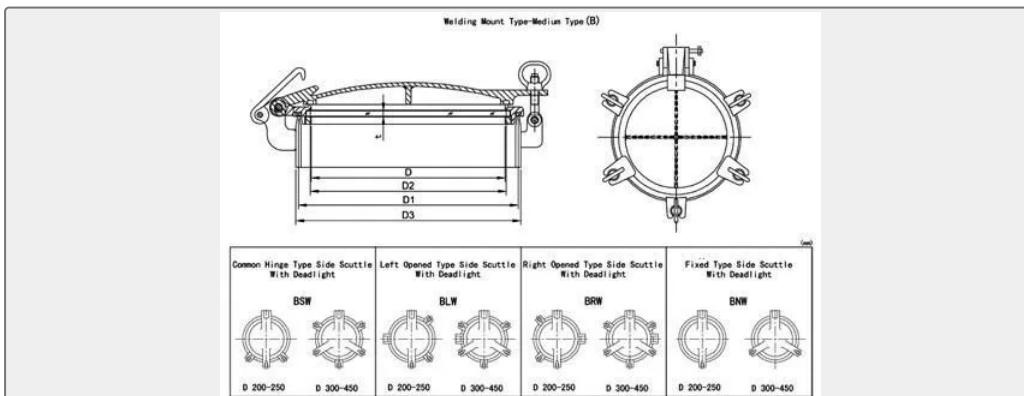
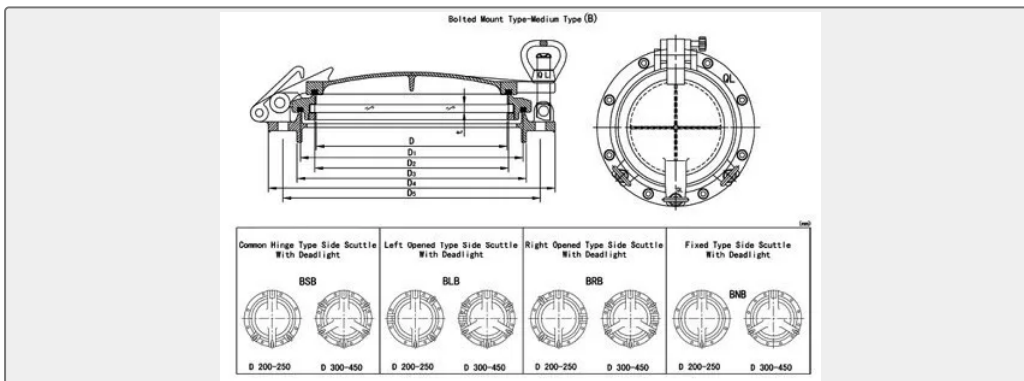
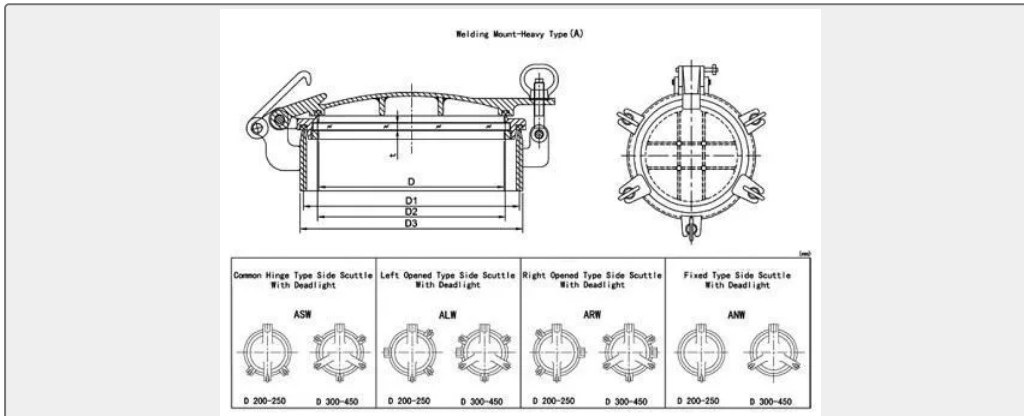
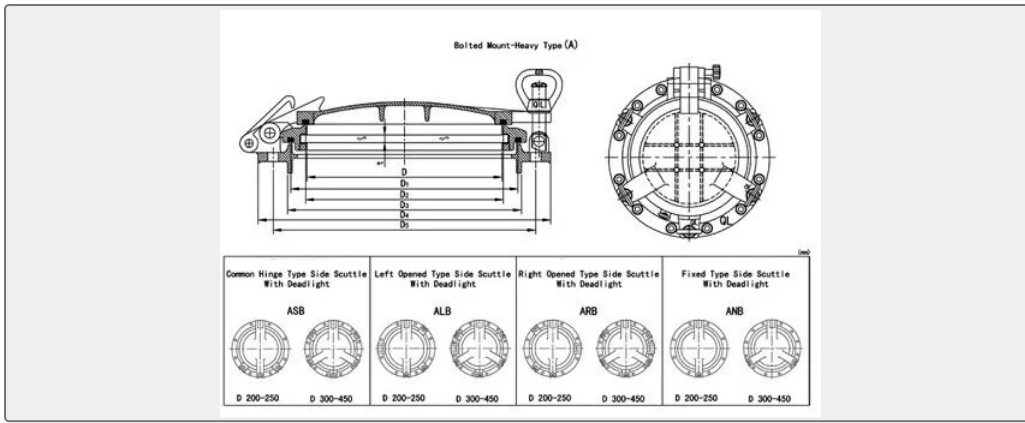
| | |
|---------------|---|
| Category | Marine Window |
| Standard | GB |
| Material | Aluminum |
| Weight / Size | List for model of side scuttle and the principal characteristics of scop... |
| Certificate | CCS, BV, ABS, GL, LR, DNV, NK, RINA, KR, IRS |

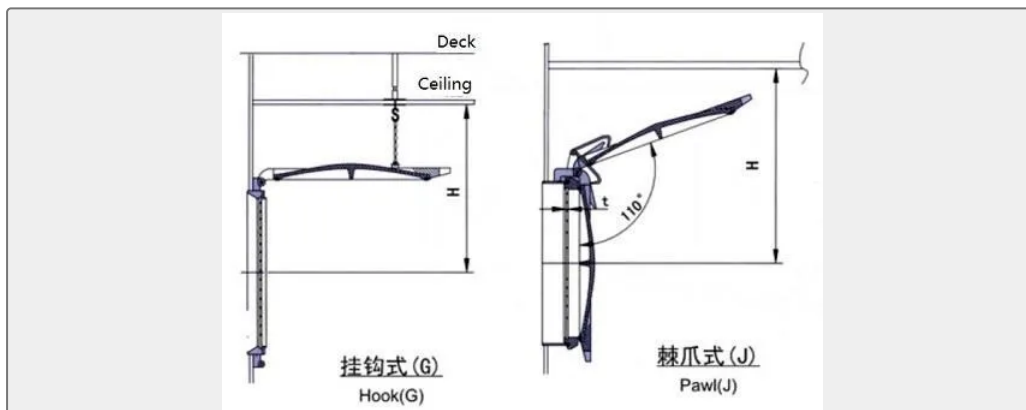
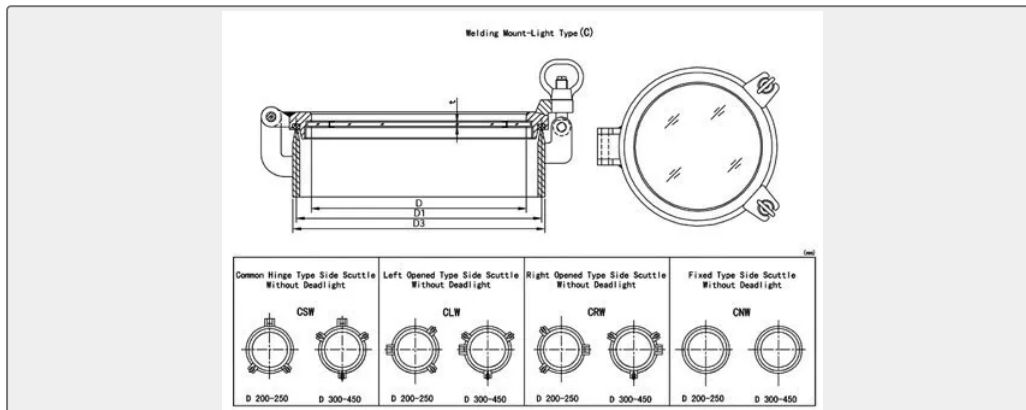
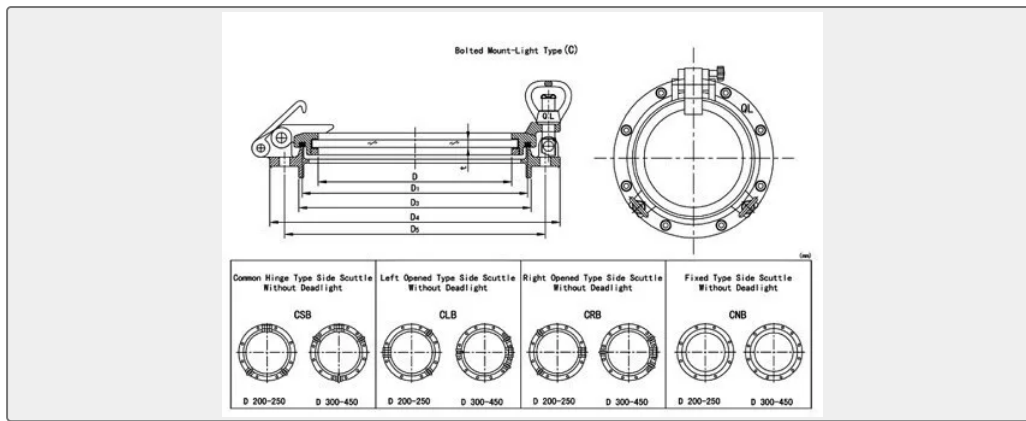
We can supply according to your requirement, drawings, class certificate needs, and delivery schedule.



| Technical Specifications | | | |
|--------------------------|---|--------------------|---|
| Category | Marine Window | Model / SKU | Aluminum-Opening-Side-Scuttle-without-Deadlight |
| Standard | GB | Material | Aluminum |
| Weight / Size | List for model of side scuttle and the principal characteristics of scope Name Type Clear Size (D) Opening Type Mounting Type Material code number Opening and fastening type of deadlight Glass ApplicationPlace Opening Non-opening Bolted Welded Heavy A 200 Left opening type, right opening type, common hinge type Fixed type Bolted or welded 112 212 or 222 Hook (G) or Pawl (J) Transparent or Frosted The spaces below bulkhead deck or freeboard of marine ships, which are allowed to cut openings on the sides and required to be watertight and gastight 250 300 350 400 Medium B 200 112 or 222 or 333 212 or 222 or 233 The sides above bulkhead deck or free board deck of passenger ships, or the ends o superstructures. | Certificate | CCS, BV, ABS, GL, LR, DNV, NK,RINA, KR,IRS |
| Warranty | 12 Months unless specified otherwise | Origin | China |

| | |
|-----------------|--|
| CONTENTS | <ul style="list-style-type: none"> ■ Side Scuttles for Ships Details: <ul style="list-style-type: none"> ■ 1. List for model of side scuttle and the principal characteristics of scope ■ 2. Material code numbers indicate combinations of the material code number for main frame, glass holder, deadlight. ■ 3.Opening and fastening models of deadlight: ■ 4.Main Size List(mm): |
|-----------------|--|





Side Scuttles for Ships Details:

Standard: GB/T14413-93

It is also be called as porthole, the material can be aluminum, copper or steel, is used for sea-going ships and warships, also can be used for inland ship.

The side scuttle can be with or without deadlight, the deadlight also be called as storm cover.

1. List for model of side scuttle and the principal characteristics of scope

| Name | Type | Clear Size (D) | Opening Type | | Mounting Type | Material code number | | Opening and fastening type of deadlight | Glass | ApplicationPlace |
|--------|------|----------------|--|-------------|------------------|----------------------|-------------------|---|------------------------|---|
| | | | Opening | Non-opening | | Bolted | Welded | | | |
| Heavy | A | 200 | Left opening type, right opening type, common hinge type | Fixed type | Bolted or welded | 112 | 212 or 222 | Hook (G) or Pawl (J) | Transparent or Frosted | The spaces below bulkhead deck or freeboard of marine ships, which are allowed to cut openings on the sides and required to be watertight and gastight |
| | | 250 | | | | | | | | |
| | | 300 | | | | | | | | |
| | | 350 | | | | | | | | |
| | | 400 | | | | | | | | |
| Medium | B | 200 | | | | 112 or 222 or 333 | 212 or 222 or 233 | | | The sides above bulkhead deck or free board deck of passenger ships, or the ends o superstructures. Both sides and ends of the first tier of superstructure on the freeboard deck of ships other than passenger ship. |
| | | 250 | | | | | | | | |
| | | 300 | | | | | | | | |
| | | 350 | | | | | | | | |
| | | 400 | | | | | | | | |
| Light | C | 200 | Opening | | | 220 or 330 or 110 | 210 or 220 or 230 | Nothing | | The sides and rear-ends of first tier of superstructure above bulkhead deck or freeboard deck of passenger ships or all tiers above the first tier of superstructure. The sides and rear-ends of all tiers above the first tier of superstructure on free board deck of ships other than passenger ships. |
| | | | | | | | | | | |

2. Material code numbers indicate combinations of the material code number for main frame, glass holder, deadlight.

| Material code number | Material | Demonstration |
|----------------------|----------|---------------|
| | | |

| | | |
|---|-------------------|--|
| 1 | Copper | 1. if the steel(2) main frame, copper(1) glass holder, steel(2) deadlight, the material code number is 212. 2. If aluminum(3) frame, aluminum(3) glass holder, without deadlight(0), the material code number is 330. |
| 2 | Steel | |
| 3 | Aluminum | |
| 0 | Without deadlight | |

3. Opening and fastening models of deadlight:

| | | | | | | | |
|--|----------|------------------|-----|-----|-----|-----|-----|
| Clear Size (D) | | 200 | 250 | 300 | 350 | 400 | 450 |
| minimum distance of side scuttle centre to ceiling | Paw (J) | 300 | 350 | 400 | 450 | 540 | 580 |
| | Hook (G) | selected by user | | | | | |

4. Main Size List(mm):

| Model | D | D1 | D2 | D3 | D4 | D5 | h | t | a | No of fasteners | | Bolts for installation | | Wall Cut Out Size |
|---------------------|-----|-----|-----|-----|-----|-----|-----|----|-----|-----------------|--------------|------------------------|----------|-------------------|
| | | | | | | | | | | Deadlight | Glass Holder | Thread | Quantity | |
| A LB, RB, SB, NB | 200 | 245 | 204 | 250 | 350 | 310 | 155 | 8 | 45° | 2 | 3 | M12 | 8 | 253 |
| | 250 | 295 | 254 | 305 | 400 | 363 | 182 | 8 | 48° | 2 | 3 | M16 | 8 | 308 |
| | 300 | 350 | 304 | 360 | 450 | 414 | 207 | 10 | 31° | 3 | 3 | M16 | 12 | 363 |
| | 350 | 400 | 354 | 410 | 500 | 464 | 232 | 12 | 31° | 3 | 3 | M16 | 12 | 413 |
| | 400 | 450 | 404 | 460 | 550 | 514 | 257 | 12 | 31° | 3 | 3 | M18 | 12 | 463 |

| Model | D | D1 | D2 | D3 | D4 | D5 | h | t | a | No of fasteners | | Bolts for installation | | Wall Cut Out Size |
|-------|---|----|----|----|----|----|---|---|---|-----------------|--------------|------------------------|----------|-------------------|
| | | | | | | | | | | Deadlight | Glass Holder | Thread | Quantity | |

| | | | | | | | | | | | | | | | |
|---|----------------|-----|-----|-----|-----|-----|-----|-----|----|-----|---|---|-----|----|-----|
| B | LB, RB, SB, NB | 200 | 245 | 204 | 250 | 350 | 310 | 155 | 8 | 45° | 2 | 3 | M12 | 8 | 253 |
| | | 250 | 295 | 254 | 305 | 400 | 363 | 182 | 8 | 48° | 2 | 3 | M16 | 8 | 308 |
| | | 300 | 350 | 304 | 360 | 450 | 414 | 207 | 10 | 31° | 3 | 3 | M16 | 12 | 363 |
| | | 350 | 400 | 354 | 410 | 500 | 464 | 232 | 12 | 31° | 3 | 3 | M16 | 12 | 413 |
| | | 400 | 450 | 404 | 460 | 550 | 514 | 257 | 12 | 31° | 3 | 3 | M18 | 12 | 463 |
| | | 450 | 500 | 454 | 510 | 600 | 564 | 282 | 15 | 31° | 3 | 4 | M20 | 12 | 523 |

| Model | | D | D3 | D4 | t | Bolts for installation | | Wall Cut Out Size |
|-------|------------|-----|-----|-----|----|------------------------|----------|-------------------|
| | | | | | | Thread | Quantity | |
| C | LB, RB, NB | 200 | 250 | 350 | 6 | M12 | 8 | 253 |
| | | 250 | 305 | 400 | 6 | M16 | 8 | 308 |
| | | 300 | 360 | 450 | 8 | M16 | 12 | 363 |
| | | 350 | 410 | 500 | 8 | M16 | 12 | 413 |
| | | 400 | 460 | 550 | 10 | M18 | 12 | 463 |
| | | 450 | 510 | 600 | 10 | M20 | 12 | 523 |