

MARINE COVER

Aluminum Rectangular Sunk Watertight Hatch Cover

ISO9001 Supplier

Class Certificate

Export Supply

Standard: CB958-80 Aluminum Sunk Watertight Hatch Cover is used on the main passage way of ship cabin or the place that should be on the straight position with the deck. Material: Aluminum with steel fra...



Key Highlights

Category	Marine Cover
Standard	DIN
Material	Aluminum Alloy
Weight / Size	Aluminum with steel frame Main Size List(mm):
Certificate	CCS, BV, ABS, DNV/GL, LR, NK, IRS, RMRS

We can supply according to your requirement, drawings, class certificate needs, and delivery schedule.

Technical Specifications

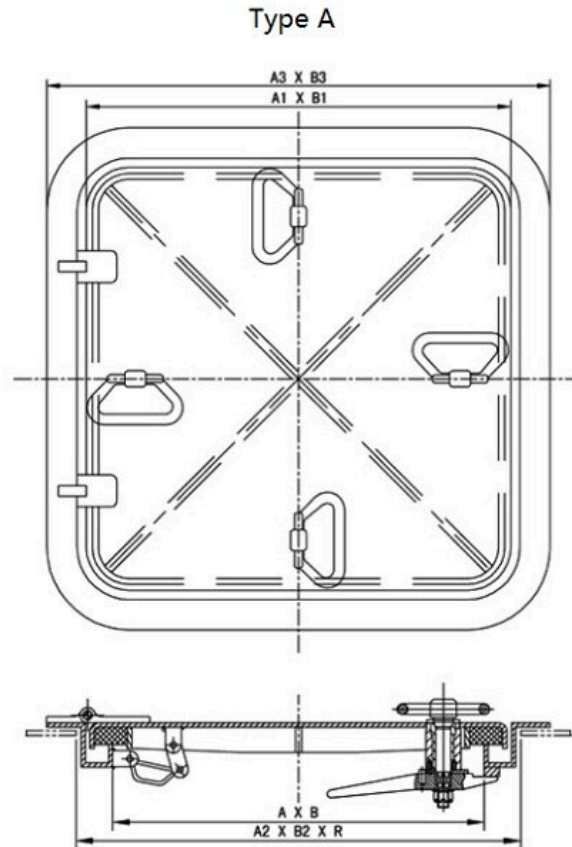
Category	Marine Cover	Model / SKU	Aluminum-Rectangular-Sunk-Watertight-Hatch-Cover
Standard	DIN	Material	Aluminum Alloy
Weight / Size	Aluminum with steel frame Main Size List(mm):	Certificate	CCS, BV, ABS, DNV/GL, LR, NK, IRS, RMRS
Warranty	12 Months unless specified otherwise	Origin	China

CONTENTS

- China Aluminum Rectangular Sunk Watertight Hatch Cover:
- Main Size List(mm):



China Aluminum Rectangular Sunk Watertight Hatch Cover:



Standard: CB958-80

Aluminum Sunk Watertight Hatch Cover is used on the main passage way of ship cabin or the place that should be on the straight position with the deck.

Material: Aluminum with steel frame

Main Size List(mm):

Type	Name	Clear Size	Cover Size	Deck Opening Size	Outside Size	t
		AxB	A1xB1	A2xB2xr	A1xB1	
A	Rectangular Sunk Watertight Hatch Cover	500x500	536x563	580x580x130	646x646	4
		600x600	636x636	680x680x140	746x746	
B	Elliptic Sunk Watertight Hatch Cover	400x500	436x536	480x580	546x646	
		450x600	486x632	530x680	596x746	

Remark: we can manufacture it according to the drawing supplied by the customer.