

Jinbo Marine

Marine & Offshore Equipment Datasheet

PRODUCT DATASHEET

MARINE COVER

Aluminum Watertight Hatch Cover

Standard: CB/T732-68 It is used as the hatch cover of cargo store and the hatch cover of deck on the exposed place. It is light, well tight, and the operation is quick. Main Size List(mm):

...

ISO9001 Supplier

Class Certificate

Export Supply



Key Highlights

Category	Marine Cover
Standard	CB
Material	Aluminum
Weight / Size	Main Size List(mm):
Certificate	CCS, BV, ABS, GL, LR, DNV, NK, RINA, KR, IRS

We can supply according to your requirement, drawings, class certificate needs, and delivery schedule.

Technical Specifications

Category	Marine Cover	Model / SKU	Aluminum-Watertight-Hatch-Cover
Standard	CB	Material	Aluminum
Weight / Size	Main Size List(mm):	Certificate	CCS, BV, ABS, GL, LR, DNV, NK, RINA, KR, IRS
Warranty	12 Months unless specified otherwise	Origin	China

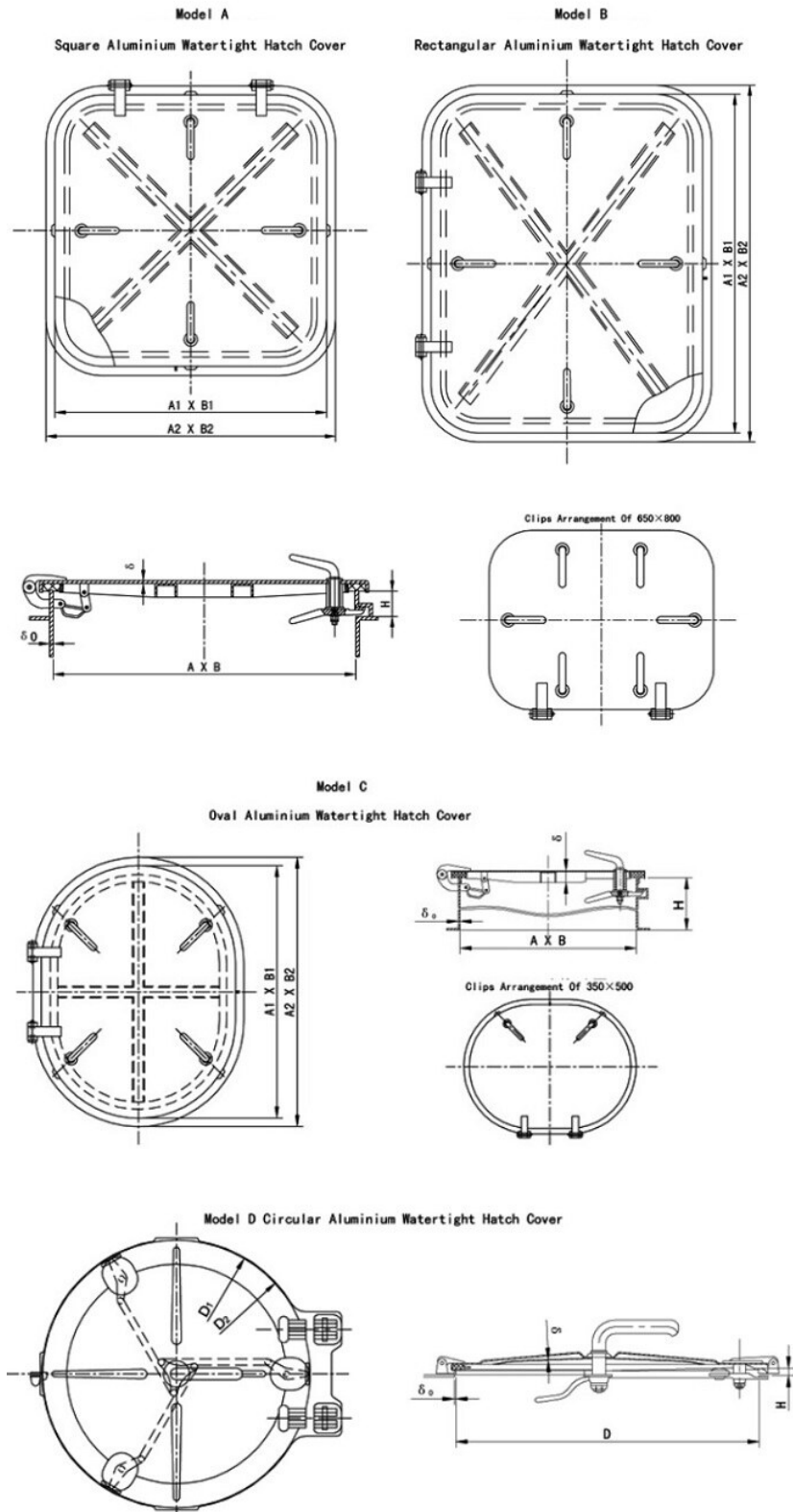
CONTENTS

- China Aluminum Watertight Hatch Cover:

- Main Size List(mm):



China Aluminum Watertight Hatch Cover:



Standard: CB/T732-68

It is used as the hatch cover of cargo store and the hatch cover of deck on the exposed place. It is light, well tight, and the operation is quick.

Main Size List(mm):

Type	Clear Size of Opening AxB	A1XB1	A2XB2	δ	δ0	H≈
A	500X500	532X532	588X588	3	4	50
	600X600	632X632	688X688			
B	450X600650X800	482X632	538X688	3	4	50
	350X500	686X836	738X888	4		
C	450X600	382X532	438X588	3	4	50
	650X800	482X632	538X688			
D	ø600	ø636	ø640	3	2.5	27