

# Jinbo Marine

Marine &amp; Offshore Equipment Datasheet

PRODUCT DATASHEET

## MARINE LADDER

## Aluminum Wharf Ladder ( Flat Type)

Standard:CB3116-82, JIS F2613-1796 & ISO7061-1993 Max usage angle:30° Usage situation: embark and disembark for personnel when various types of ships are mooring alongside a deck \*It also can be cal...

ISO9001 Supplier

Class Certificate

Export Supply



### Key Highlights

|               |                                     |
|---------------|-------------------------------------|
| Category      | Marine Ladder                       |
| Standard      | JIS                                 |
| Material      | Aluminum Alloy                      |
| Weight / Size | Aluminum or steel Size:             |
| Certificate   | CCS,DNV,GL, LR, ABS, BV, NK,KR,RINA |

We can supply according to your requirement, drawings, class certificate needs, and delivery schedule.

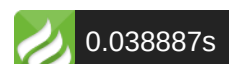
### Technical Specifications

|               |                                     |             |  |
|---------------|-------------------------------------|-------------|--|
| Category      | Marine Ladder                       | Model / SKU | Aluminum-Wharf-Ladder-Flat-Type          |
| Standard      | JIS                                 | Material    | Aluminum Alloy                           |
| Weight / Size | Aluminum or steel Size:             | Surface     | *The surface of the product is anodized. |
| Certificate   | CCS,DNV,GL, LR, ABS, BV, NK,KR,RINA | Warranty    | 12 Months unless specified otherwise     |
| Origin        | China                               |             |  |

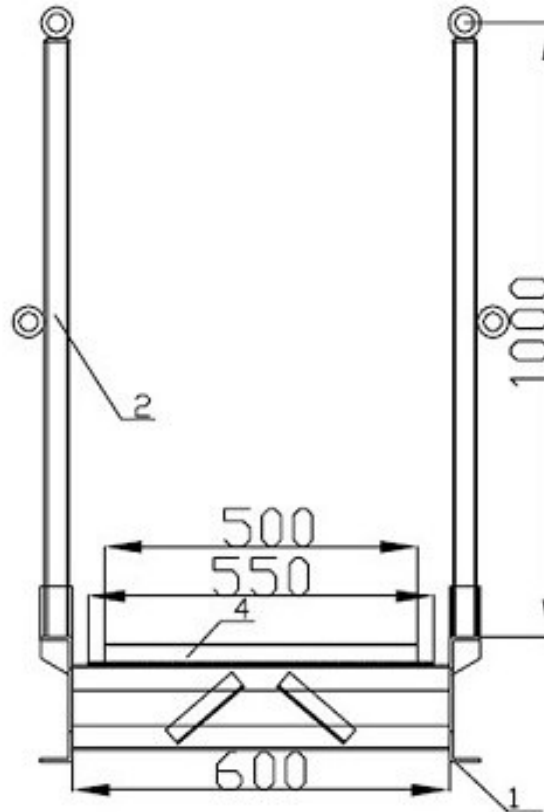
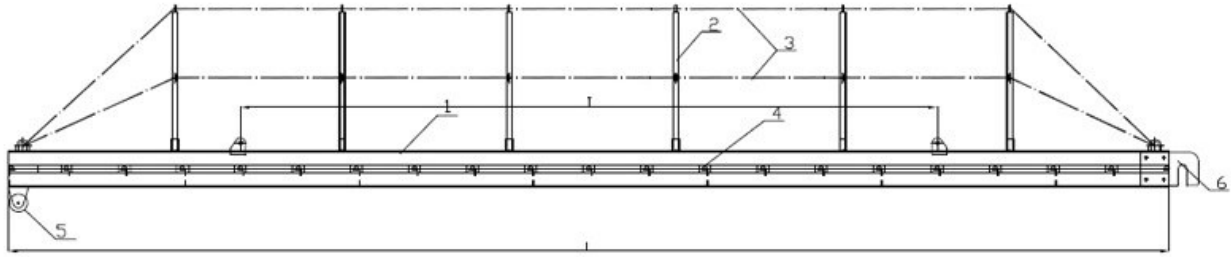
#### CONTENTS

- China Aluminum Wharf Ladder ( Flat Type):
- Size:

- Main Material:



## Aluminum Wharf Ladder ( Flat Type) Drawing



### China Aluminum Wharf Ladder ( Flat Type):

Standard:CB3116-82, JIS F2613-1796 & ISO7061-1993

Max usage angle:30°

Usage situation: embark and disembark for personnel when various types of ships are mooring alongside a deck

\*It also can be called as aluminum gangway or shore gangway.

\*Normally it is with hook in one side and another side with roller.

\*If the length is too long, not suitable for shipment. The ladder can be made with two parts.

\*The wharf ladder also can be with the safety net.

\*The surface of the product is anodized.

### Main Material:

1-Ladder Frame: Aluminum Alloy



2-Rail: Aluimum alloy pipe

3-Rope: Nylon

4-Antislip Strip: Aluminum Alloy

5-Roller: Nylon

6-Hook: Aluminum or steel

## **Size:**

The length and the width are customerized. But the standard width is inside 600mm, outside 700mm. The rail height is fixed 1000mm.