

Jinbo Marine

Marine & Offshore Equipment Datasheet

PRODUCT DATASHEET

STEEL CARGO BLOCK

Anchor Boom Blocks

Drawing: Picture: Specification: stock no. will(t) wire up tp (mm) dimensions(mm) weight(kg)

...

ISO9001 Supplier

Class Certificate

Export Supply



Key Highlights

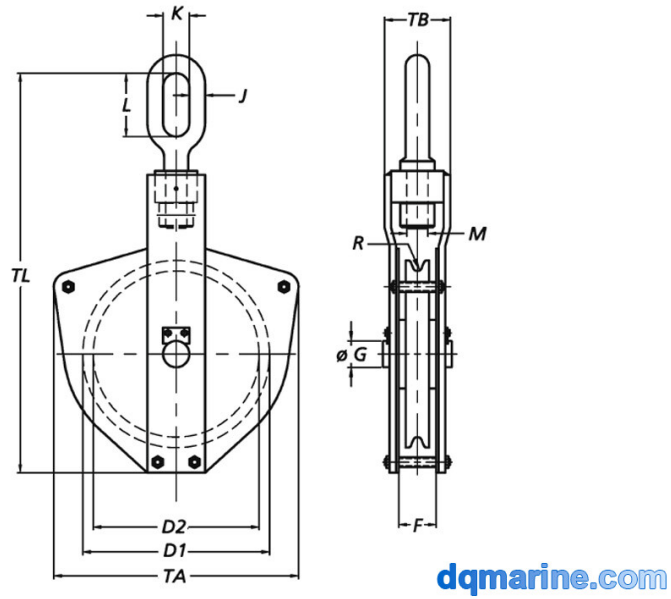
Category	Steel Cargo Block
Standard	EN
Weight / Size	will(t) wire up tp (mm) dimensions(mm) weight(kg) D1 D2 F ΦG ΦJ K L M R ...
Certificate	ABS, LR, BV, DNVGL, NK, KR, IRS, RMRS, CCS

We can supply according to your requirement, drawings, class certificate needs, and delivery schedule.

Technical Specifications			
Category	Steel Cargo Block	Model / SKU	Anchor-Boom-Blocks
Standard	EN	Weight / Size	will(t) wire up tp (mm) dimensions(mm) weight(kg) D1 D2 F ΦG ΦJ K L M R TA TB TL 26.200.03.10 3 10 200 165 40 30 21 32 72 30 5.5 270 23 465 13.5 26.250.04.10 4 12 250 210 45 35 26 40 94 33 6.5 320 280 556 22 26.300.06.10 6 14 300 255 50 40 29 45 108 42 7.5 400 360 653 35 26.350.08.10 8 18 350 300 45 45 32 49 115 45 9.5 450 400 714 72 26.400.12.10 12 20 400 345 50 60 41 60 144 56 11 502 440 1014 85 26.450.16.10 16 22 450 390 60 70 46 66 163 64 12 560 510 1094 105 26.500.18.10 18 24 500 430 70 75 51 72 173 72 13 610 520 1097 135 26.500.20.10 20 36 500 430 70 80 51 72 173 72 19.5 620 550 1114 164 Product Advantage:
Certificate	ABS, LR, BV, DNVGL, NK, KR, IRS, RMRS, CCS	Warranty	12 Months unless specified otherwise
Origin	China		

CONTENTS	■ Drawing:	■ Picture:
	■ Specification:	■ Product Advantage:
	■ Packing and Delivery :	■ How to Order?

Drawing:



Picture:



Specification:

stock no.	will(t)	wire up tp (mm)	dimensions(mm)													weight(kg)
			D1	D2	F	ΦG	ΦJ	K	L	M	R	TA	TB	TL		
26.200.03.10	3	10	200	165	40	30	21	32	72	30	5.5	27 0	23	465	13.5	
26.250.04.10	4	12	250	210	45	35	26	40	94	33	6.5	32 0	28 0	556	22	
26.300.06.10	6	14	300	255	50	40	29	45	10 8	42	7.5	40 0	36 0	653	35	

26.350.08.10	8	18	350	300	45	45	32	49	11 5	45	9.5	45 0	40 0	714	72
26.400.12.10	12	20	400	345	50	60	41	60	14 4	56	11	50 2	44 0	101 4	85
26.450.16.10	16	22	450	390	60	70	46	66	16 3	64	12	56 0	51 0	109 4	105
26.500.18.10	18	24	500	430	70	75	51	72	17 3	72	13	61 0	52 0	109 7	135
26.500.20.10	20	36	500	430	70	80	51	72	17 3	72	19. 5	62 0	55 0	111 4	164

Product Advantage:

- 1.Satisfactory Quality
- 2.Competitive Price
- 3.Prompt Delivery
- 4.7x24 hours service

Packing and Delivery :

1. Standard Export Packing or Seaworthy Packing, if you have special requirement, please specify when inquiry.
2. Fast Delivery, delivery time can negotiate when order.

How to Order?

1. Please inform us the model, type or size you need.
2. Please inform us the quantity to make the best price for you.
3. Shipment Model: Air or Sea shipment.
4. Special requirement if any.