

HYDRAULIC SQUARE FLANGE

Angle Hydraulic Square Flange

Hydraulic square flange is also called hydraulic flange or hydraulic square flange plate. The hydraulic saure flange is the part that connects the pipe to the pipe and on the end of the pipe. It is used the high pressure...

ISO9001 Supplier

Class Certificate

Export Supply



Key Highlights

Category	Hydraulic Square Flange
Standard	EN
Material	Carbon Steel, Stainless Steel
Weight / Size	PN10MPa,PN16MPa, PN21MPa, PN28MPa, PN35MPa Type A---with O-ring sealing ...
Certificate	CCS, BV, DNV/GL

We can supply according to your requirement, drawings, class certificate needs, and delivery schedule.

Technical Specifications

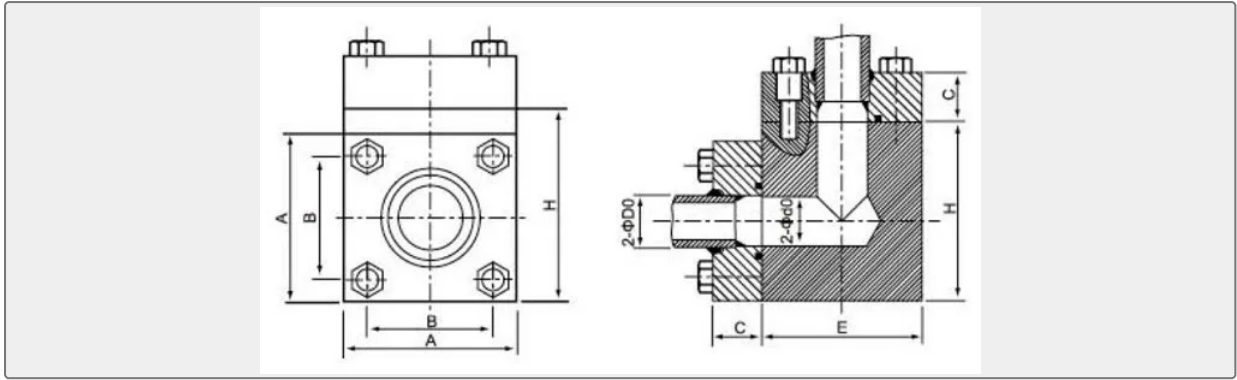
Category	Hydraulic Square Flange	Model / SKU	Angle-Hydraulic-Square-Flange
Standard	EN	Material	Carbon Steel, Stainless Steel
Weight / Size	PN10MPa,PN16MPa, PN21MPa, PN28MPa, PN35MPa Type A---with O-ring sealing groove Type B--without O-ring sealing groove Main Size List(mm):	Certificate	CCS, BV, DNV/GL
Warranty	12 Months unless specified otherwise	Origin	China

CONTENTS

- China Angle Hydraulic Square Flange:
- Main Size List(mm):
- Specification:



China Angle Hydraulic Square Flange:



Hydraulic square flange is also called hydraulic flange or hydraulic square flange plate. The hydraulic square flange is the part that connects the pipe to the pipe and on the end of the pipe. It is used in the high pressure pipe system. The Hydraulic Square Flange consists of a pair of flanges, a gasket and a number of bolt nuts.

Specification:

Material: Carbon Steel, Stainless Steel SUS304, 316, 316L

Certificate: CCS, BV, DNV/GL

Pressure: PN10MPa, PN16MPa, PN21MPa, PN28MPa, PN35MPa

Type A---with O-ring sealing groove

Type B---without O-ring sealing groove

Main Size List(mm):

Nominal Diameter	Steel Pipe OD	A	B	C	H	E	d0	Hex Bolt	O-ring
Nominal Pressure≤28Mpa, Test Pressure≤42Mpa									
DN10	18	60	37	22	80	60	16	M10*40	D25*3.55
DN15	22	65	42	22	85	65	20	M10*40	D28*3.55
DN20	27	72	45	28	93	72	25	M12*45	D32.5*3.55
DN25	34	80	52	28	100	80	32	M12*45	D40*3.55
DN32	42	90	62	30	110	90	40	M14*50	D47.5*3.55
DN40	48	100	70	35	125	100	46	M16*55	D54.5*3.55
DN50	60	120	85	40	144	120	57	M20*65	D67*3.55
DN65	76	130	98	40	158	130	73	M20*65	D82.5*3.55
Nominal Pressure≤16Mpa, Test Pressure≤24Mpa									
DN80	89	150	110	48	180	150	86	M22*70	D95*3.55
DN100	114	170	125	50	200	170	110	M22*75	D118*3.55
DN125	139.7	200	150	56	235	200	136	M24*80	D145*3.55