

Jinbo Marine

Marine & Offshore Equipment Datasheet

PRODUCT DATASHEET

GB MARINE QUICK CLOSING VALVE

Angle Manual Quick Shutting Valve GB/T5744-2008 Type BS/BSS

ISO9001 Supplier

Class Certificate

Export Supply

Quick Closing Valve for Marine Use GB/T5744-2008 is mainly used on the marine oil pipe system to shut off the oil flow quickly. It can be manual or pneumatic. Technical Specification: Design Standard: GB/T574...



Key Highlights

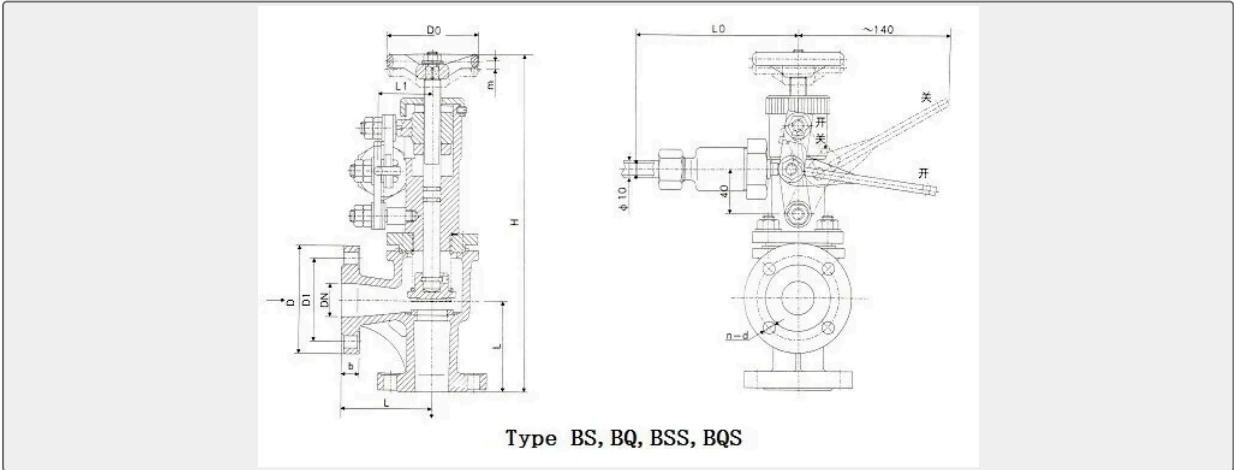
Category	GB Marine Quick Closing Valve
Standard	GB
Material	Cast Steel
Weight / Size	0.3Mpa Air Flange size as per GB2501, GB569 AS---Straight & Manual type ...
Certificate	CCS, BV, DNV/GL, RINA, NK, ABS, GL, IRS, RMRS

We can supply according to your requirement, drawings, class certificate needs, and delivery schedule.

Technical Specifications			
Category	GB Marine Quick Closing Valve	Model / SKU	Angle-Manual-Quick-Shutting-Valve-GB-T5744-2008-Type-BS-BSS
Standard	GB	Material	Cast Steel
Weight / Size	0.3Mpa Air Flange size as per GB2501, GB569 AS---Straight & Manual type with GB569 flange ASS---Straight & Manual type with GB2501 flange AQ---Straight & Pneumatic type with GB569 flange AQS---Straight & Pneumatic type with GB2501 flange BS---Angle & Manual type with GB569 flange BSS---Angle & Manual type with GB2501 flange BQ---Angle & Pneumatic type with GB569 flange BQS---Angle & Pneumatic type with GB2501 flange Nominal Pressure(Mpa) Nominal Diameter(mm) Applicable medium 0.25 20-150 fuel oil,lubrication oil and other oil.	Certificate	CCS, BV, DNV/GL, RINA, NK, ABS, GL,IRS, RMRS
Warranty	12 Months unless specified otherwise	Origin	China

CONTENTS	<ul style="list-style-type: none"> China Angle Manual Quick Shutting Valve GB/T5744-2008 Type BS/BSS: Main Material: 	<ul style="list-style-type: none"> Technical Specification: Main Size List(mm):
-----------------	--	---

China Angle Manual Quick Shutting Valve GB/T5744-2008 Type BS/BSS:



Quick Closing Valve for Marine Use GB/T5744-2008 is mainly used on the marine oil pipe system to shut off the oil flow quickly. It can be manual or pneumatic.

Technical Specification:

Design Standard: GB/T5744-2008

Test Standard: GB600

Test Pressure: 0.3Mpa Air

Flange size as per GB2501, GB569

AS---Straight & Manual type with GB569 flange

ASS---Straight & Manual type with GB2501 flange

AQ---Straight & Pneumatic type with GB569 flange

AQS---Straight & Pneumatic type with GB2501 flange

BS---Angle & Manual type with GB569 flange

BSS---Angle & Manual type with GB2501 flange

BQ---Angle & Pneumatic type with GB569 flange

BQS---Angle & Pneumatic type with GB2501 flange

Nominal Pressure(Mpa)	Nominal Diameter(mm)	Applicable medium
0.25	20-150	fuel oil,lubrication oil and other oil.

Main Material:

Body-Cast Steel

Bonnet-Cast Steel

Disc-Carbon Steel

Stem-Stainless Steel

Piston-Brass

Main Size List(mm):

Flange as per GB569

D N (m m)	Structure Dimension				Thick ness δ	Flange					Bolt		hand wheel		Lift Ran ge m	cylinde r volum e V cm ³	Weight(kg)					
	L		H			L 1	L 2	D	D 1	D 2	b	d 0	n	Th			Do	S	A S	A Q	B S	B Q
	A	B	A	B																		
	S	S	S	S																		
	A	B	A	B																		
	Q	Q	Q	Q																		

20	15 0	95	24 0	32 0	1 4 3	4 4	6	9 5	6 8	4 8	1 1	1 3	4	M 12	80	8	7	27	5. 8	6. 7	6. 2	7. 1
25	16 0	10 0	24 2	32 5	1 4 3	4 4	6	1 0 5	7 3	5 6	1 2	1 3	4	M 12	80	8	9	27	6. 6	7. 5	6. 8	7. 7
32	18 0	10 5	24 5	33 0	1 4 3	4 4	6	11 5	8 3	6 4	1 3	1 5	6	M 14	10 0	9	9	27	7. 1	8. 0	7. 0	7. 9
40	20 0	11 5	27 5	36 5	1 4 3	4 8	6	1 2 5	9 3	7 4	1 3	1 5	6	M 14	12 0	1 1	12	27	10 .1	11 .0	9. 6	10 .5
50	23 0	12 5	28 3	38 1	1 4 3	4 9	7	1 3 5	1 0 3	8 4	1 3	1 5	6	M 14	14 0	1 2	15	27	11 .6	12 .5	12 .6	13 .5
65	29 0	14 5	32 5	43 7	1 5 5	5 8	7	1 5 5	1 2 3	1 0 4	1 4	1 5	6	M 14	14 0	1 2	19	58	18 .7	20 .0	16 .7	18 .0
80	31 0	15 5	35 0	46 6	1 5 5	5 8	7	1 7 0	1 3 8	11 8	1 4	1 5	8	M 14	16 0	1 4	23	58	23 .7	25 .0	22 .7	24 .0
100	35 0	17 5	37 5	50 0	1 5 5	6 2	8	1 9 0	1 5 8	1 3 8	1 4	1 5	8	M 14	18 0	1 4	30	58	31 .8	33 .0	27 .8	29 .0
125	40 0	20 0	40 0	54 0	1 5 5	6 8	9	2 1 5	1 8 3	1 6 4	1 4	1 5	1 0	M 14	20 0	1 7	36	58	37 .8	39 .0	33 .8	35 .0
150	48 0	22 5	43 0	58 0	1 5 5	7 5	10	2 4 0	2 0 8	1 9 0	1 4	1 5	1 2	M 14	22 5	1 9	45	58	47 .8	49 .0	38 .8	40 .0

Flange as per GB2501

DN (mm)	Structure Dimension						Thick ness δ	Flange					Bolt		hand wheel		Lift Rang em	cylind er volum e V cm ³	Weight(kg)			
	L		H		L 1	L 2		D	D 1	D 2	b	d 0	n	Th .	D o	S			A S S	A Q S	B S S	B Q S
	A	B	A	B																		
20	15 0	95	24 0	32 0	1 4 3	4 4	6	9 0	6 5	5 0	1 4	1 1	4	M 10	80	8	7	27	6. 8	7. 6	7. 2	8. 0
25	16 0	10 0	24 2	32 5	1 4 3	4 4	6	1 0 0	7 5	6 0	1 4	1 1	4	M 10	80	8	9	27	7. 6	8. 4	8. 0	8. 8

32	18 0	10 5	24 5	33 0	1 4 3	4 4	6	1 2 0	9 0	7 0	1 6	1 4	4	M 12	10 0	9	9	27	9. 2	10 .0	9. 0	9. 8
40	20 0	11 5	27 5	36 5	1 4 3	4 8	6	1 3 0	1 0 0	8 0	1 6	1 4	4	M 12	12 0	1 1	12	27	12 .2	13 .0	11 .8	12 .6
50	23 0	12 5	28 3	38 1	1 4 3	4 9	7	1 4 0	11 0	9 0	1 6	1 4	4	M 12	14 0	1 2	15	27	14 .9	15 .7	15 .9	16 .7
65	29 0	14 5	32 5	43 7	1 5 5	5 8	7	1 6 0	1 3 0	11 0	1 6	1 4	4	M 12	14 0	1 2	19	58	21 .5	22 .7	19 .5	20 .7
80	31 0	15 5	35 0	46 6	1 5 5	5 8	7	1 9 0	1 5 0	1 2 8	1 8	1 8	4	M 16	16 0	1 4	23	58	25 .8	27 .0	24 .8	26 .0
10	35 0	17 5	37 5	50 0	1 5 5	6 2	8	2 1 0	1 7 0	1 4 8	1 8	1 8	4	M 16	18 0	1 4	30	58	38 .8	40 .0	34 .8	36 .0
12	40 5	20 0	40 0	54 0	1 5 5	6 8	9	2 4 0	2 0 0	1 7 8	2 0	1 8	8	M 16	20 0	1 7	36	58	46 .3	47 .5	42 .3	43 .5
15	48 0	22 5	43 0	58 0	1 5 5	7 5	10	2 6 5	2 2 5	2 0 2	2 0	1 8	8	M 16	22 5	1 9	45	58	59 .8	61 .0	50 .8	52 .0