

CHAIN SLING

Angular Contact Bearing Swivels-00

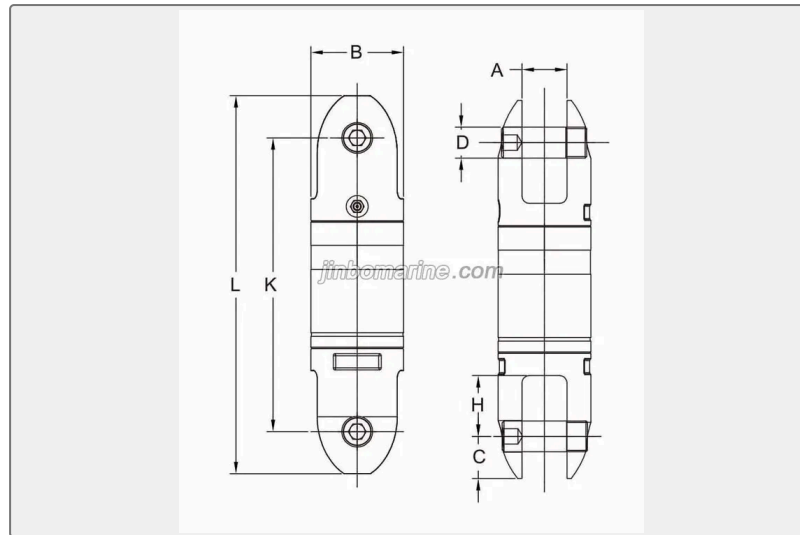
Specification Tension Dimensions (mm) Weight Size T mm tons* ...

- ISO9001 Supplier
- Class Certificate
- Export Supply

	<p>Key Highlights</p> <table border="1" style="width: 100%; border-collapse: collapse;"> <tr> <td style="background-color: #1a3d4d; color: white; padding: 5px;">Category</td> <td style="padding: 5px;">Chain Sling</td> </tr> <tr> <td style="background-color: #1a3d4d; color: white; padding: 5px;">Standard</td> <td style="padding: 5px;">EN</td> </tr> <tr> <td style="background-color: #1a3d4d; color: white; padding: 5px;">Material</td> <td style="padding: 5px;">Alloy Steel Forging</td> </tr> <tr> <td style="background-color: #1a3d4d; color: white; padding: 5px;">Weight / Size</td> <td style="padding: 5px;">Specification Tension Dimensions (mm) Weight Size T mm tons* B K L C A D...</td> </tr> <tr> <td style="background-color: #1a3d4d; color: white; padding: 5px;">Certificate</td> <td style="padding: 5px;">ABS, LR, BV, DNVGL, NK, KR, IRS, RMRS, CCS</td> </tr> </table> <p style="font-size: small; padding-top: 10px;">We can supply according to your requirement, drawings, class certificate needs, and delivery schedule.</p>	Category	Chain Sling	Standard	EN	Material	Alloy Steel Forging	Weight / Size	Specification Tension Dimensions (mm) Weight Size T mm tons* B K L C A D...	Certificate	ABS, LR, BV, DNVGL, NK, KR, IRS, RMRS, CCS
Category	Chain Sling										
Standard	EN										
Material	Alloy Steel Forging										
Weight / Size	Specification Tension Dimensions (mm) Weight Size T mm tons* B K L C A D...										
Certificate	ABS, LR, BV, DNVGL, NK, KR, IRS, RMRS, CCS										

Technical Specifications			
Category	Chain Sling	Model / SKU	Angular-Contact-Bearing-Swivels-00
Standard	EN	Material	Alloy Steel Forging
Weight / Size	Specification Tension Dimensions (mm) Weight Size T mm tons* B K L C A D H Kg 6 0.75 32 103 126 12 15 10 22 0.5 10 1.5 40 112 144 16 18 11 26 0.8 13 3 51 159 203 23 32 16 31 2 16 5 64 200 262 31 32 22 37 3.9 19 8.5 76 242 312 35 37 25 50 6.7 22 10 102 317 408 46 42 38 53 18.6 25 15 108 317 408 46 48 38 56 20.7 32 25 132 374 495 61 62 51 69 36.3	Certificate	ABS, LR, BV, DNVGL, NK, KR, IRS, RMRS, CCS
Warranty	12 Months unless specified otherwise	Origin	China

China Angular Contact Bearing Swivels-00:



Specification	Tension	Dimensions (mm)							Weight
Size	T								
mm	tons*	B	K	L	C	A	D	H	Kg
6	0.75	32	103	126	12	15	10	22	0.5
10	1.5	40	112	144	16	18	11	26	0.8
13	3	51	159	203	23	32	16	31	2
16	5	64	200	262	31	32	22	37	3.9
19	8.5	76	242	312	35	37	25	50	6.7
22	10	102	317	408	46	42	38	53	18.6
25	15	108	317	408	46	48	38	56	20.7
32	25	132	374	495	61	62	51	69	36.3