

Jinbo Marine

Marine & Offshore Equipment Datasheet

PRODUCT DATASHEET

SHACKLE

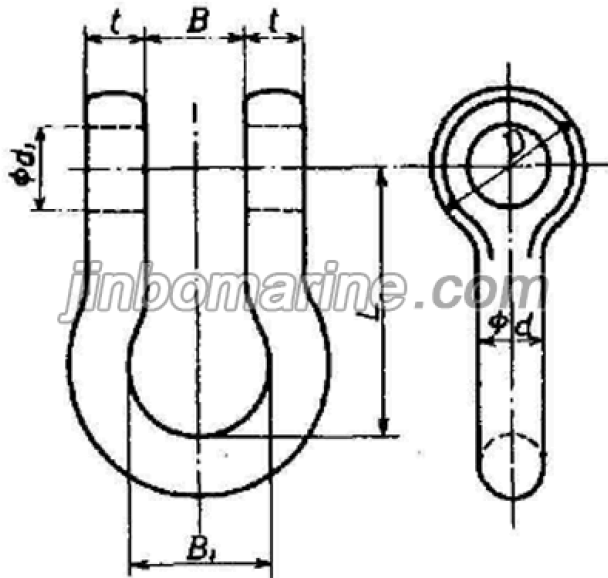
BA Type JIS B2801 Bow Shackle

BA Type JIS B2801 Bow Shackle Technical Specification Nominal Size t d B B1 D ...

ISO9001 Supplier

Class Certificate

Export Supply



Key Highlights

Category	Shackle
Standard	JIS
Weight / Size	BA Type JIS B2801 Bow Shackle Technical Specification Nominal Size t d ...
Certificate	ABS, LR, BV, DNVGL, NK, KR, IRS, RMRS, CCS

We can supply according to your requirement, drawings, class certificate needs, and delivery schedule.

Technical Specifications			
Category	Shackle	Model / SKU	BA-Type-JIS-B2801-Bow-Shackle
Standard	JIS	Weight / Size	BA Type JIS B2801 Bow Shackle Technical Specification Nominal Size t d B B1 D d1 L Weight(kg) 34 34 39 50 98 85 41 176 8.88 36 36 42 54 105 90 43 190 10.49 38 38 44 57 110 95 47 198 11.74 40 40 47 60 118 100 49 212 13.16 42 42 49 63 123 105 53 220 15.25 44 44 51 66 128 110 56 230 18.24 46 46 53 68 133 115 58 240 20.71 48 48 55 72 138 120 60 248 23.21 50 50 57 75 143 125 62 257 24.85 55 55 62 83 155 138 67 280 38.6 60 60 69 90 178 150 72 31 54.47 65 65 75 98 188 164 79 338 64.68 70 70 81 105 202 178 85 360 77.95 75 75 87 112 218 192 92 387 98.49 80 80 93 120 232 206 98 414 119.37 85 85 99 128 248 220 104 440 144.44 90 90 104 135 260 232 110 473 171.5 Working Load limit
Certificate	ABS, LR, BV, DNVGL, NK, KR, IRS, RMRS, CCS	Warranty	12 Months unless specified otherwise
Origin	China		

CONTENTS	<input checked="" type="checkbox"/> Technical Specification <input type="checkbox"/> Working Load limit
-----------------	---

Technical Specification

Nominal Size	t	d	B	B1	D	d1	L	Weight(kg)
34	34	39	50	98	85	41	176	8.88
36	36	42	54	105	90	43	190	10.49
38	38	44	57	110	95	47	198	11.74
40	40	47	60	118	100	49	212	13.16
42	42	49	63	123	105	53	220	15.25
44	44	51	66	128	110	56	230	18.24
46	46	53	68	133	115	58	240	20.71

48	48	55	72	138	120	60	248	23.21
50	50	57	75	143	125	62	257	24.85
55	55	62	83	155	138	67	280	38.6
60	60	69	90	178	150	72	31	54.47
65	65	75	98	188	164	79	338	64.68
70	70	81	105	202	178	85	360	77.95
75	75	87	112	218	192	92	387	98.49
80	80	93	120	232	206	98	414	119.37
85	85	99	128	248	220	104	440	144.44
90	90	104	135	260	232	110	473	171.5

Working Load limit

Table 2. Working load limit Unit : t

Nominal size	Grade M								Grade S		Grade T		Grade V		
	Bow shackle				Straight shackle				Bow shackle	Straight shackle	Bow shackle	Straight shackle	Bow shackle	Straight shackle	
	BA	BB	BC	BD	SA	SB	SC	SD	BB	SB	BB	SB	BB	SB	
6	—	—	0.2	0.15	—	—	0.2	—	—	—	—	—	—	—	
8	—	—	0.315	0.315	—	—	0.315	—	—	—	—	—	—	—	
10	—	—	(0.6)	0.5	—	—	(0.6)	0.4	0.8	0.8	1	1	1.25	1.25	
12	—	—	1	(0.7)	—	—	1	0.63	1.6	1.6	2	2	2.5	2.5	
14	—	—	1.25	(0.9)	—	—	1.25	0.8	2	2	2.5	2.5	3.15	3.15	
16	—	—	1.6	(1.2)	—	—	1.6	1	2.5	2.5	3.15	3.15	4	4	
18	—	—	2	(1.3)	—	—	2	—	3.15	3.15	4	4	5	5	
20	—	—	2.5	2.5	1.8	—	2.5	2.5	1.6	4	4	5	5	6.3	6.3
22	—	—	3.15	3.15	—	—	3.15	3.15	2	5	5	6.3	6.3	—	—
24	—	—	(3.6)	(3.6)	—	—	(3.6)	(3.6)	2.5	6.3	6.3	—	—	8	8
26	—	—	4	4	—	—	4	4	3.15	—	—	8	8	10	10
28	—	—	(4.8)	(4.8)	—	—	(4.8)	(4.8)	(3.5)	8	8	10	10	12.5	12.5
30	—	—	5	5	—	—	5	5	4	—	—	—	—	—	—
32	—	—	6.3	6.3	—	—	6.3	6.3	—	—	12.5	12.5	16	16	—
34	(7)	(7)	(7)	(7)	(7)	(7)	(7)	5	—	—	—	—	—	—	—
36	8	8	8	8	8	8	8	—	12.5	12.5	16	16	20	20	—
38	(9)	(9)	(9)	(9)	(9)	(9)	(9)	6.3	—	—	—	—	—	—	—
40	10	10	10	10	10	10	(7)	16	—	—	20	20	25	25	—
42	(11)	(11)	—	—	(11)	(11)	—	8	—	—	—	—	—	—	—
44	12.5	12.5	—	—	12.5	12.5	—	20	20	25	25	31.5	31.5	—	—
46	(13)	(13)	—	—	(13)	(13)	—	—	—	—	—	—	—	—	—
48	14	14	—	—	14	14	—	10	—	—	—	—	—	—	—
50	16	16	—	—	16	16	—	25	25	31.5	31.5	40	40	—	—
52	—	—	—	—	—	—	—	12.5	—	—	—	—	—	—	—
55	18	18	—	—	18	18	—	—	—	—	—	—	—	—	—
58	—	—	—	—	—	—	—	16	—	—	—	—	—	—	—
60	20	20	—	—	20	20	—	31.5	31.5	40	40	50	50	—	—
65	25	25	—	—	25	25	—	40	40	50	50	63	63	—	—
70	31.5	31.5	—	—	31.5	31.5	—	50	50	63	63	80	80	—	—
75	(35)	(35)	—	—	(35)	(35)	—	—	—	—	—	—	—	—	—
80	40	40	—	—	40	40	—	63	63	80	80	100	100	—	—
85	45	45	—	—	45	45	—	—	—	—	—	—	—	—	—