

TURNBUCKLE

Banded Turnbuckle

SIZE A mm B mm C mm D mm E mm SA008-06 151 220 127 18.5 ...

- ISO9001 Supplier
- Class Certificate
- Export Supply



Key Highlights

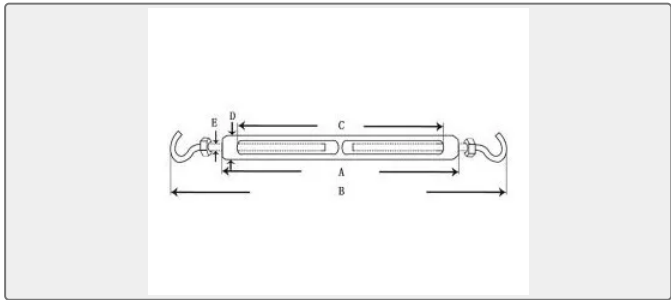
Category	Turnbuckle
Material	Stainless steel
Weight / Size	SIZE A mm B mm C mm D mm E mm SA008-06 151 220 127 18.5 6
Certificate	ABS, LR, BV, DNVGL, NK, KR, IRS, RMRS, CCS

We can supply according to your requirement, drawings, class certificate needs, and delivery schedule.

Technical Specifications

Category	Turnbuckle	Model / SKU	BANDED-TURNBUCKLE
Material	Stainless steel	Weight / Size	SIZE A mm B mm C mm D mm E mm SA008-06 151 220 127 18.5 6
Certificate	ABS, LR, BV, DNVGL, NK, KR, IRS, RMRS, CCS	Warranty	12 Months unless specified otherwise
Origin	China		

China Banded Turnbuckle:



SIZE	A mm	B mm	C mm	D mm	E mm
SA008-06	151	220	127	18.5	6