

Jinbo Marine

Marine & Offshore Equipment Datasheet

PRODUCT DATASHEET

GENERAL EMERGENCY ALARM SYSTEM

BBJ-844 Status Warning Light(4 lights)

BBJ-844 Status Warning Light(4 lights) Material: Fire retardant ABS Color: White
(RAL1013) Power supply : AC220V±10% IP class: IP56 Weight: 3.2Kg Power: 12W

...

ISO9001 Supplier

Class Certificate

Export Supply



Key Highlights

Category	General Emergency Alarm System
Standard	GB
Material	BBJ-844 Status Warning Light(4 lights) Material:
Weight / Size	IP56 Weight:
Certificate	ABS, LR, BV, DNVGL, NK, KR, IRS, RMRS, CCS

We can supply according to your requirement, drawings, class certificate needs, and delivery schedule.

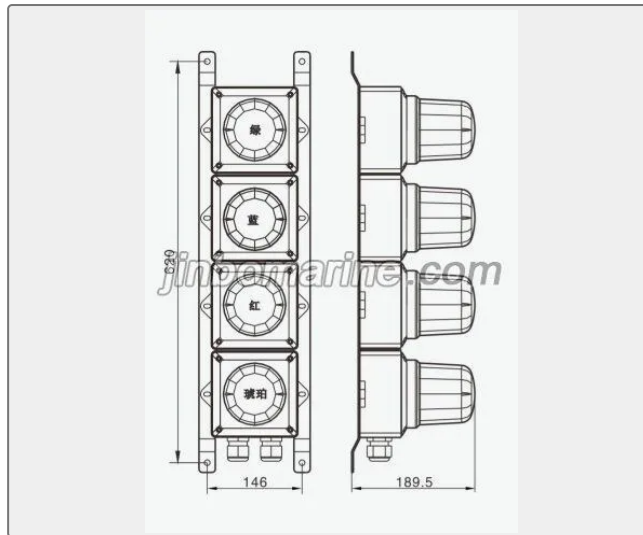
Technical Specifications

Category	General Emergency Alarm System	Model / SKU	BBJ-844-Status-Warning-Light-4-lights
Standard	GB	Material	BBJ-844 Status Warning Light(4 lights) Material:
Weight / Size	IP56 Weight:	Certificate	ABS, LR, BV, DNVGL, NK, KR, IRS, RMRS, CCS
Warranty	12 Months unless specified otherwise	Origin	China

China BBJ-844 Status Warning Light(4 lights):

BBJ-844 Status Warning Light(4 lights)





Material: Fire retardant ABS

Color: White (RAL1013)

Power supply : AC220V±10%

IP class: IP56

Weight: 3.2Kg

Power: 12W

Stuffingbox cable entrance hole size: 2-Φ13~18mm