

# Jinbo Marine

Marine &amp; Offshore Equipment Datasheet

PRODUCT DATASHEET

## HEAT EXCHANGER

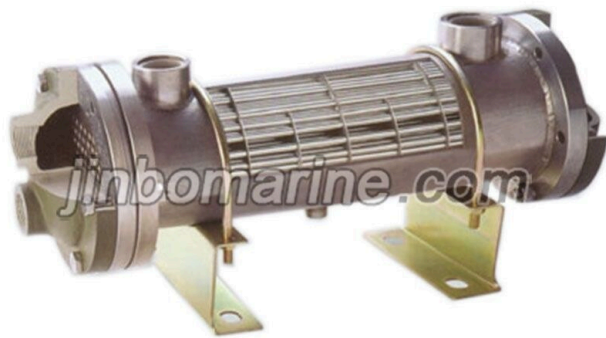
## BC Series Water-cooled Heat Exchangers

ISO9001 Supplier

Class Certificate

Export Supply

Description: The FC(Y) series water-cooled heat exchanger adopts a finned heat exchanger with a traditional structure and a new foreign technology design. The small product is a fixed tube plate structure, model ...



### Key Highlights

Category	Heat Exchanger
Standard	DIN
Weight / Size	The heat transfer area is large, and the product is small in size and li...
Certificate	ABS, LR, BV, DNVGL, NK, KR, IRS, RMRS, CCS

We can supply according to your requirement, drawings, class certificate needs, and delivery schedule.

### Technical Specifications

Category	Heat Exchanger	Model / SKU	BC-Series-Water-cooled-Heat-Exchangers
Standard	DIN	Weight / Size	The heat transfer area is large, and the product is small in size and light in weight.
Certificate	ABS, LR, BV, DNVGL, NK, KR, IRS, RMRS, CCS	Warranty	12 Months unless specified otherwise
Origin	China		

#### CONTENTS

- Description:
- BCY Series Water-cooled Heat Exchangers:
- Technical data:

## Description:

The FC(Y) series water-cooled heat exchanger adopts a finned heat exchanger with a traditional structure and a new foreign technology design. The small product is a fixed tube plate structure, model FC;

The large product is a mobile tube plate structure, model FCY.

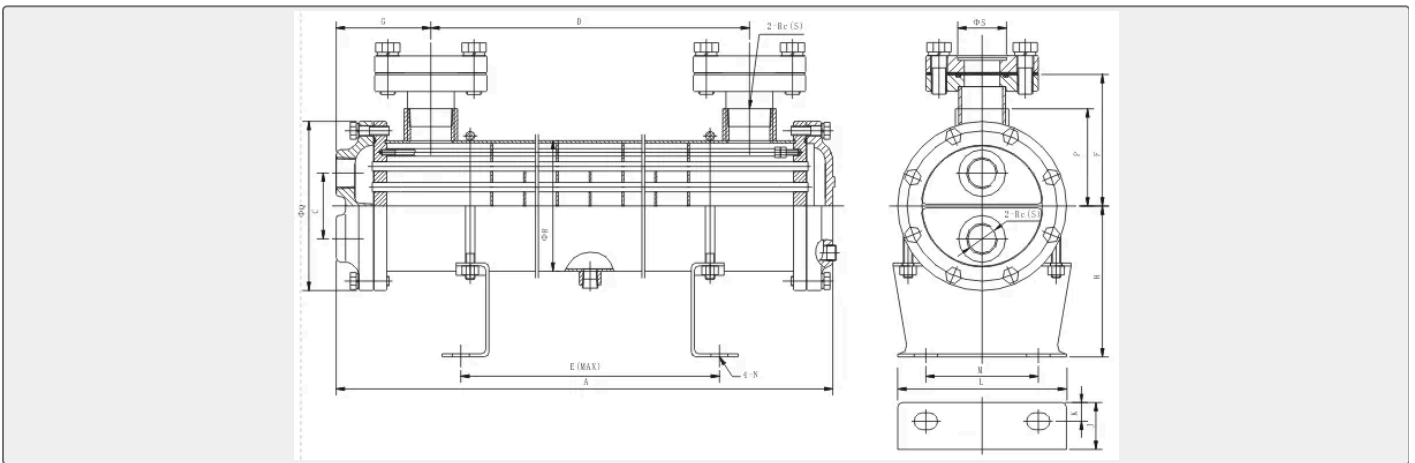
The heat transfer tube uses a copper tube to roll out the heat fins. The heat transfer area is large, and the product is small in size and light in weight. Suitable for cooling of low viscosity and relatively clean oil; can be applied to plastic machinery, hydraulic setting

Preparation, air compressor, oil slick system, fluid coupling, power equipment and other industries.

The series of medium and large products adopts a movable tube plate structure, which can be disassembled for cleaning and repair;

This series of products can be designed and manufactured according to customer requirements from small to medium to large scale, covering a wide range.

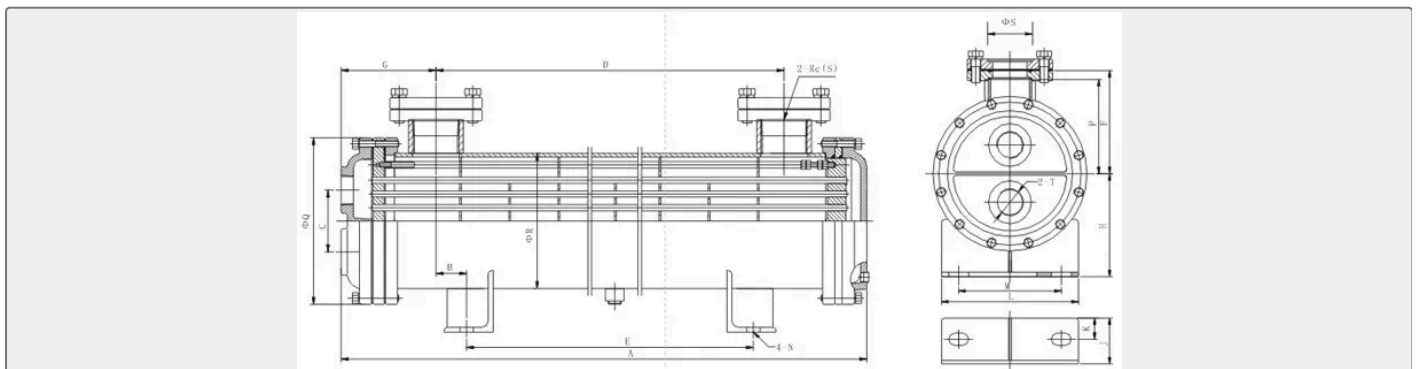
## Technical data:



Model	A	C	D	E	F	G	H	J	K	L	M	N	P	Q	R	S	T
BC-302	309	45	152	107	85	81	87	35	15	95	58	11x20	62	120	89	Rc3/4 Φ28.5 DN20	Rc3/4
BC-303	381		224	179													
BC-304	531		374	329													
BC-305	597		440	395													
BC-306	741		584	539													
BC-307	813		656	611													
BC-308	885		728	683													

BC-406	469	60	284	240	110	95	125	50	20	160	110	18x22	87	150	114	Rc1 1/4 Φ43 DN32	Rc3/4
BC-407	547		362	318													
BC-408	613		428	384													
BC-410	757		572	528													
BC-412	829		644	600													
BC-413	901		716	672													
BC-415	1045		860	816													
BC-417	1188		1003	959													
BC-510	530	70	340	276	140	101	160	50	20	180	120	18x25	105	180	139	Rc1 1/2 Φ52 DN40	Rc1
BC-512	596		406	342													
BC-515	740		550	486													
BC-517	812		662	558													
BC-519	884		694	630													
BC-522	1028		838	774													
BC-526	1171		981	917													
BC-528	1281		1091	1027													
BC-621	746	70	502	427	160	127	180	160	50	30	210	18x30	122	210	165	Rc2 Φ65 DN50	Rc1
BC-623	782		538	463													
BC-627	916		672	597													
BC-631	1034		790	715													
BC-634	1128		884	809													
BC-637	1212		968	893													
BC-640	1332		1088	1013													
BC-643	1402		1158	1083													
BC-645	1487		1243	1168													

**BCY Series Water-cooled Heat Exchangers:**



Model	A	B	C	D	E	F	G	H	J	K	L	M	N	P	Q	R	S	T
BCY-510	528	32	70	317	253	14 0	12 1	16 0	5 0	2 0	18 0	12 0	18x2 5	10 5	18 0	13 9	Rc1 1/2 Φ52 DN40	Rc1
BCY-512	594			383	319													
BCY-515	738			527	463													
BCY-517	810			599	535													
BCY-519	882			671	607													
BCY-522	102 6			815	751													
BCY-526	116 9			958	894													
BCY-528	127 9			106 8	100 4													
BCY-621	738	37. 5	70	479	404	16 0	14 5	18 0	5 0	2 0	21 0	14 0	18x3 0	12 2	21 0	16 5	Rc2 Φ65 DN50	Rc1
BCY-623	774			515	440													
BCY-627	908			649	574													
BCY-631	102 6			767	692													
BCY-634	112 0			861	786													
BCY-637	120 4			945	870													
BCY-640	132 4			106 5	990													
BCY-643	139 4			113 5	106 0													
BCY-645	147 9	122 0	114 5															

BCY-842	905	50	100	613	513	180	155	180	80	37	240	180	22x35	165	270	219	Rc2 1/2 Φ77 DN65	Rc1 1/2
BCY-850	1050			757	657													
BCY-858	1190			900	800													
BCY-864	1300			1010	910													
BCY-869	1390			1100	1000													
BCY-877	1500			1210	1110													
BCY-881	1610			1320	1220													
BCY-890	1780			1490	1390													
BCY-896	1900			1610	1510													
BCY-1085	1270	60	120	880	760	220	210	220	80	37	280	200	22x35	200	350	273	Rc3 Φ92 DN80	Rc1 1/2
BCY-1095	1380			990	870													
BCY-10100	1470			1080	960													
BCY-10110	1580			1190	1070													
BCY-10120	1690			1300	1180													
BCY-10127	1770			1380	1260													
BCY-10134	1860			1470	1350													
BCY-10144	1980			1590	1470													
BCY-10154	2100			1710	1590													
BCY-10165	2240	1850	1730															