

Jinbo Marine

Marine & Offshore Equipment Datasheet

PRODUCT DATASHEET

MARINE TRANSFORMERS

BDK-64 Series Marine Reactor

BDK-64 Series Marine Reactor: Purpose: BDK reactor is mainly used for coarse synchronism running with three phase AC. diesel-dynamo of the same capacity in ship, and also can be used for coarse...

ISO9001 Supplier

Class Certificate

Export Supply



Key Highlights

Category	Marine Transformers
Standard	DIN
Weight / Size	Type L B H A1 A2 Binding post DSafety bolt Quality (M) 4×d Kg BDK-24 200...
Certificate	CCS BV

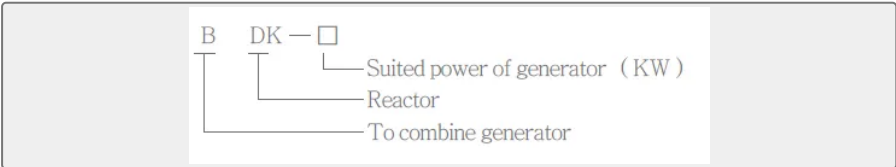
We can supply according to your requirement, drawings, class certificate needs, and delivery schedule.



Technical Specifications			
Category	Marine Transformers	Model / SKU	BDK-64-Series-Marine-Reactor
Standard	DIN	Weight / Size	Type L B H A1 A2 Binding post DSafety bolt Quality (M) 4xd Kg BDK-24 200 150 255 118 118 6 10 10 BDK-40 222 122 122 6 10 10 BDK-64 228 170 240 8 12 13 BDK-90 255 132 132 8 12 15 BDK-120 294 8 12 19 BDK-150 278 200 338 152 152 10 12 29 BDK-250 278 200 338 152 152 10 12 29 BDK-300 320 224 347 170 170 10 16 40 BDK-400 320 224 347 170 170 10 16 40 BDK-630 330 240 395 184 184 12 16 50
Surface	Two diesel-electric sets of the same volume which are required to parallel and sure to be running paralleled should finish the coarse synchronizing parallel under the condition of voltage difference $\leq 10\%U_m$, frequency difference 1Hz (parallel-to-be set is higher than running set) and phase difference within the scope of 180° when parallel-to-be set runs in no-load, its maximum switching current should be less than double rated current of generator set, and the operating time of reactor should not exceed 5 seconds.	Certificate	CCS BV
Warranty	12 Months unless specified otherwise	Origin	China

CONTENTS	■ BDK-64 Series Marine Reactor:	■ Purpose:
	■ Service conditions:	■ Structure
	■ Wiring layout:	■ Technical data:

BDK-64 Series Marine Reactor:



Purpose:

BDK reactor is mainly used for coarse synchronism running with three phase AC. diesel-dynamo of the same capacity in ship, and also can be used for coarse synchronism running with three phase AC. diesel-dynamo set of the same volume in land mobile power station and private station.

Two diesel-electric sets of the same volume which are required to parallel and sure to be running paralleled should finish the coarse synchronizing parallel under the condition of voltage difference $\leq 10\%U_m$, frequency difference 1Hz (parallel-to-be set is higher than running set) and phase difference within the scope of 180° when parallel-to-be set runs in no-load, its maximum switching current should be less than double rated current of generator set, and the operating time of reactor should not exceed 5 seconds.

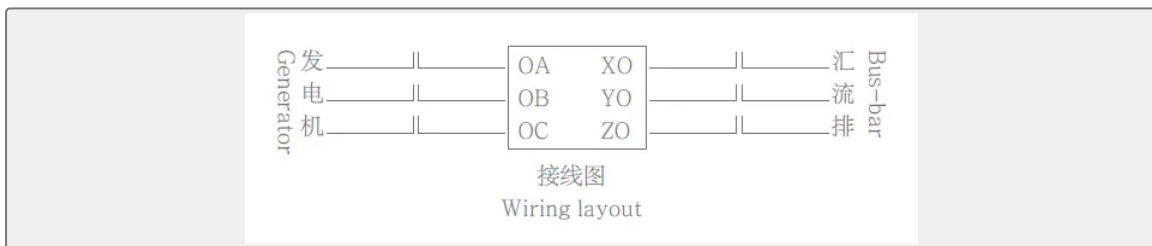
Service conditions:

- A height above sea-level not exceeding 1000m;
- A temperature of ambient air not below -25°C and above $+45^\circ\text{C}$;
- Relative air humidity: $\leq 95\%$;
- Be influenced by dew ,oil and salt vapor ,molds;
- There are vibrating ,colliding ,during ships transporting ;
- Swing with angle up to 22.5° , shopping with 15° or below during ships transporting.

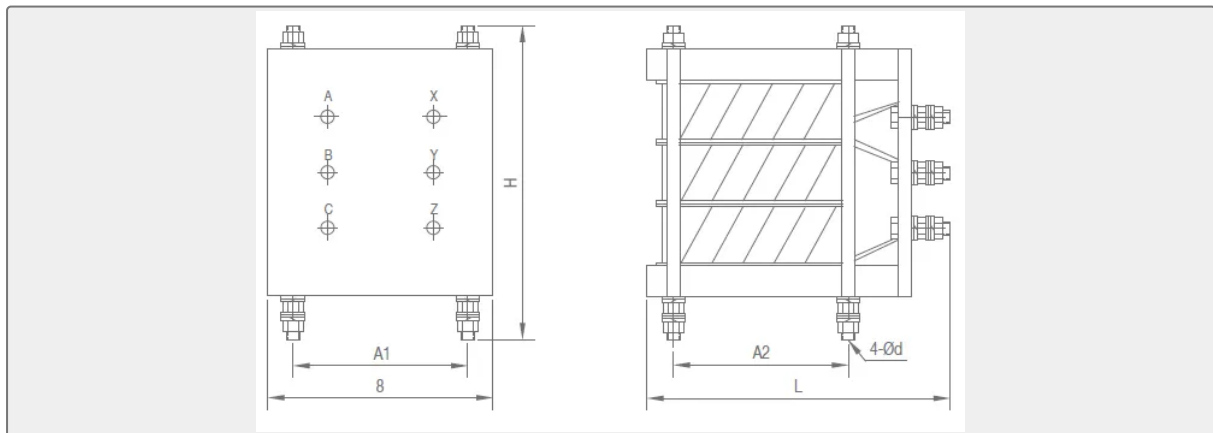
Structure

Reactor with air core is adopted for the series of this reactor.
Winding insulation is class B.

Wiring layout:



Technical data:



Type	L	B	H	A1	A2	Binding post	DSafety bolt	Quality
						(M)	4×d	Kg



BDK-24	200	150	255	118	118	6	10	10
BDK-40			222	122	122	6	10	10
BDK-64	228	170	240	8	12	13		
BDK-90			255	132	132	8	12	15
BDK-120			294	8	12	19		
BDK-150	278	200	338	152	152	10	12	29
BDK-250	278	200	338	152	152	10	12	29
BDK-300	320	224	347	170	170	10	16	40
BDK-400	320	224	347	170	170	10	16	40
BDK-630	330	240	395	184	184	12	16	50