

Jinbo Marine

Marine & Offshore Equipment Datasheet

PRODUCT DATASHEET

MARINE KITCHEN GALLEY

BFX-24 Marine Steam Box

BFX-24 Marine Steam Box 1.Complete stainless steel execution. 2.Steaming rack inside the box,with stainless steel steaming plate. 3.With timer, set cooking time, automatic shutdown. 4.Independent control c...

ISO9001 Supplier

Class Certificate

Export Supply



Key Highlights

Category	Marine Kitchen Galley
Standard	EN
Material	SS
Weight / Size	BFX-24 Marine Steam Box Specification BFX-24 380-415V/3P/50Hz 440-480V/...
Certificate	ABS, LR, BV, DNVGL, NK, KR, IRS, RMRS, CCS

We can supply according to your requirement, drawings, class certificate needs, and delivery schedule.

Technical Specifications

Category	Marine Kitchen Galley	Model / SKU	BFX-24-Marine-Steam-Box
Standard	EN	Material	SS
Weight / Size	BFX-24 Marine Steam Box Specification BFX-24 380-415V/3P/50Hz 440-480V/3P/60Hz 24kg 9Kw 650x750x1500 120kg BFX-36 380-415V/3P/50Hz 440-480V/3P/60Hz 36kg 9Kw 650x750x1650 135kg BFX-42 380-415V/3P/50Hz 440-480V/3P/60Hz 42kg 9Kw 650x750x1750 145kg	Certificate	ABS, LR, BV, DNVGL, NK, KR, IRS, RMRS, CCS
Warranty	12 Months unless specified otherwise	Origin	China

CONTENTS

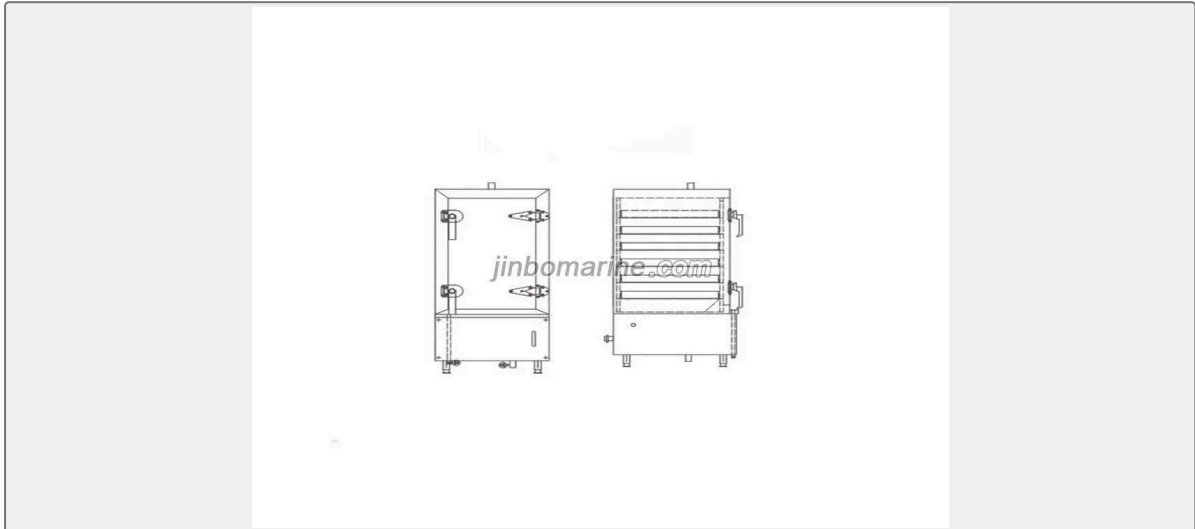
- BFX-24 Marine Steam Box

- BFX-24 Marine Steam Box Specification

BFX-24 Marine Steam Box

- 1.Complete stainless steel execution.
- 2.Steaming rack inside the box,with stainless steel steaming plate.
- 3.With timer, set cooking time, automatic shutdown.
- 4.Independent control cabinet with dehumidification devices.
- 5.Automatic water compensation and dry-burning alarm.

BFX-24 Marine Steam Box Spectification



BFX-24	380-415V/3P/50Hz 440-480V/3P/60Hz	24kg	9Kw	650x750x1500	120kg
BFX-36	380-415V/3P/50Hz 440-480V/3P/60Hz	36kg	9Kw	650x750x1650	135kg
BFX-42	380-415V/3P/50Hz 440-480V/3P/60Hz	42kg	9Kw	650x750x1750	145kg