

Jinbo Marine

Marine & Offshore Equipment Datasheet

PRODUCT DATASHEET

E/R MONITORING ALARM SYSTEM

BJ-16G Monitoring Alarm Controller

BJ-16G Monitoring Alarm Controller 1)Chapter 2 of Part 4 of the "Steel Ship Classification Rules" of the China Classification Society; 2)IMO Resolution A.1021(26) Code on Alerts and Indicators, 2009. ...

ISO9001 Supplier

Class Certificate

Export Supply



Key Highlights

Category	E/R Monitoring Alarm System
Material	BJ-16G Monitoring Alarm Controller 1)Chapter 2 of Part 4 of the "Steel S...
Certificate	ABS, LR, BV, DNVGL, NK, KR, IRS, RMRS, CCS

We can supply according to your requirement, drawings, class certificate needs, and delivery schedule.

Technical Specifications

Category	E/R Monitoring Alarm System	Model / SKU	BJ-16G-Monitoring-Alarm-Controller
Material	BJ-16G Monitoring Alarm Controller 1)Chapter 2 of Part 4 of the "Steel Ship Classification Rules" of the China Classification Society;	Certificate	ABS, LR, BV, DNVGL, NK, KR, IRS, RMRS, CCS
Warranty	12 Months unless specified otherwise	Origin	China

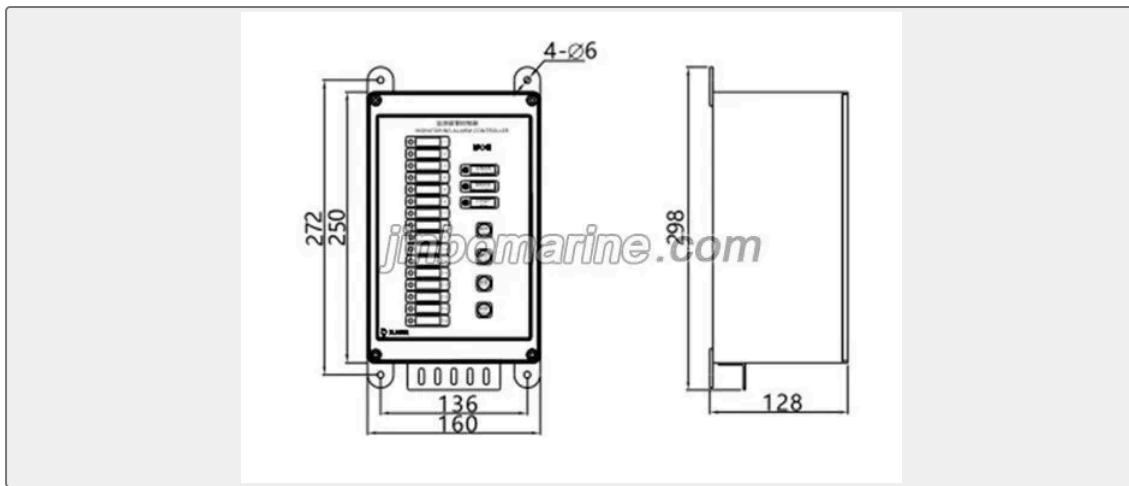
China BJ-16G Monitoring Alarm Controller:

BJ-16G Monitoring Alarm Controller

1)Chapter 2 of Part 4 of the "Steel Ship Classification Rules" of the China Classification Society;

2)IMO Resolution A.1021(26) Code on Alerts and Indicators, 2009.





Colour: Dull black

Shell material: ABS

Power supply: AC220V±10% DC24V±10%

IP rating: IP22

Detect capacity: 16ways

Power consumption: 50W