

REFRIGERATOR CALL SYSTEM

# BJ-7G Refrigerator Alarm Unit

BJ-7G Refrigerator Alarm Unit Power supply:DC24V -25% +30% Alarm sound pressure level:75dB ~ 85dB Color: Sea gray ( B05 ) IP class:IP44 Weight:0.5Kg Power: 0.5W St...

- ISO9001 Supplier
- Class Certificate
- Export Supply



### Key Highlights

<b>Category</b>	Refrigerator Call System
<b>Standard</b>	EN
<b>Weight / Size</b>	Sea gray ( B05 ) IP class:IP44 Weight:0.5Kg Power:
<b>Certificate</b>	ABS, LR, BV, DNVGL, NK, KR, IRS, RMRS, CCS

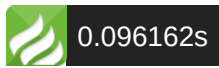
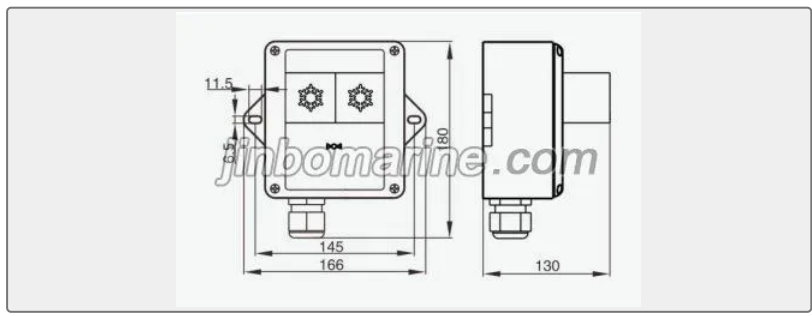
We can supply according to your requirement, drawings, class certificate needs, and delivery schedule.

### Technical Specifications

<b>Category</b>	Refrigerator Call System	<b>Model / SKU</b>	BJ-7G-Refrigerator-Alarm-Unit
<b>Standard</b>	EN	<b>Weight / Size</b>	Sea gray ( B05 ) IP class:IP44 Weight:0.5Kg Power:
<b>Certificate</b>	ABS, LR, BV, DNVGL, NK, KR, IRS, RMRS, CCS	<b>Warranty</b>	12 Months unless specified otherwise
<b>Origin</b>	China		

### China BJ-7G Refrigerator Alarm Unit:

BJ-7G Refrigerator Alarm Unit



Power supply:DC24V -25% +30%

Alarm sound pressure level:75dB ~ 85dB

Color: Sea gray ( B05 )

IP class:IP44

Weight:0.5Kg

Power: 0.5W

Stuffing box cable entrance hole size:1-Φ14mm