

# Jinbo Marine

Marine &amp; Offshore Equipment Datasheet

PRODUCT DATASHEET

## GENERAL EMERGENCY ALARM SYSTEM

# BJ-AN-GF Weather Proof General Alarm Button

ISO9001 Supplier

Class Certificate

Export Supply

BJ-AN-GF Weather Proof General Alarm Button 1)Chapter 2 of Part 4 of the"Steel Ship Classification Rules" of the China Classification Society: 2)Chapter, of MSC.48(66) international life-saving appliance code(LSA...



### Key Highlights

Category	General Emergency Alarm System
Standard	EN
Material	BJ-AN-GF Weather Proof General Alarm Button 1)Chapter 2 of Part 4 of the...
Certificate	ABS, LR, BV, DNVGL, NK, KR, IRS, RMRS, CCS

We can supply according to your requirement, drawings, class certificate needs, and delivery schedule.

### Technical Specifications

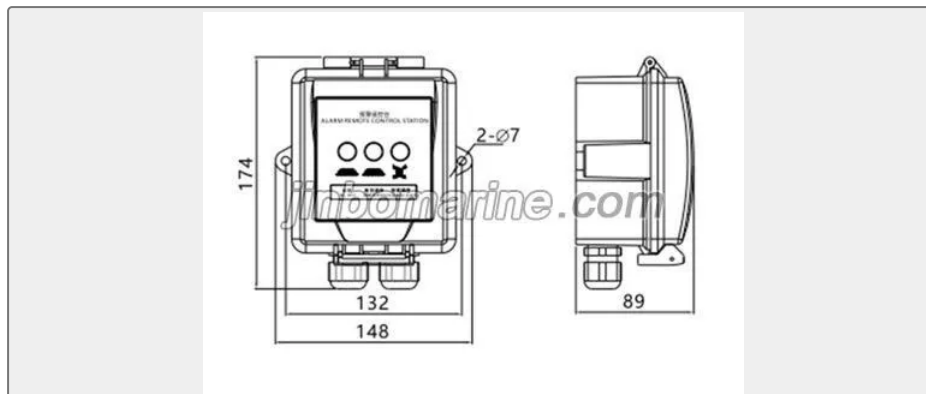
Category	General Emergency Alarm System	Model / SKU	BJ-AN-GF-Weather-Proof-General-Alarm-Button
Standard	EN	Material	BJ-AN-GF Weather Proof General Alarm Button 1)Chapter 2 of Part 4 of the"Steel Ship Classification Rules" of the China Classification Society:
Certificate	ABS, LR, BV, DNVGL, NK, KR, IRS, RMRS, CCS	Warranty	12 Months unless specified otherwise
Origin	China		

## China BJ-AN-GF Weather Proof General Alarm Button:

BJ-AN-GF Weather Proof General Alarm Button



- 1)Chapter 2 of Part 4 of the"Steel Ship Classification Rules" of the China Classification Society:
- 2)Chapter, of MSC.48(66) international life-saving appliance code(LSA),and its amendment MSC.218(82);
- 3)IMO resolution A.1021 (26) code on alerts and indicators,2009.



Colour: Dull black

Shell material: ABS

Cable gland: 2-PG16

IP rating: IP56

NO.	Type	Instructions
1	BJ-AN-GF	Suitable for cargo ship
2	BJ-3AN-GF	Suitable for passenger ship
3	YKQ-2/1F	Suitable for cargo ship
4	YKQ-2/3F	Suitable for passenger ship