

Jinbo Marine

Marine & Offshore Equipment Datasheet

PRODUCT DATASHEET

HSM WATERITIGHT DOOR INDICATION SYSTEM

BJD-R Explosion-Proof Warning Light

BJD-R Explosion-Proof Warning Light 1)Chapter 2 of Part 4 of the "Steel Ship Classification Rules" of the China Classification Society; 2)IMO Resolution A.1021(26) Code on Alerts and Indicators, 2009 ...

ISO9001 Supplier

Class Certificate

Export Supply



Key Highlights

Category	HSM Watertight Door Indication System
Standard	EN
Material	BJD-R Explosion-Proof Warning Light 1)Chapter 2 of Part 4 of the "Steel ...
Certificate	ABS, LR, BV, DNVGL, NK, KR, IRS, RMRS, CCS

We can supply according to your requirement, drawings, class certificate needs, and delivery schedule.

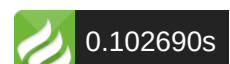
Technical Specifications

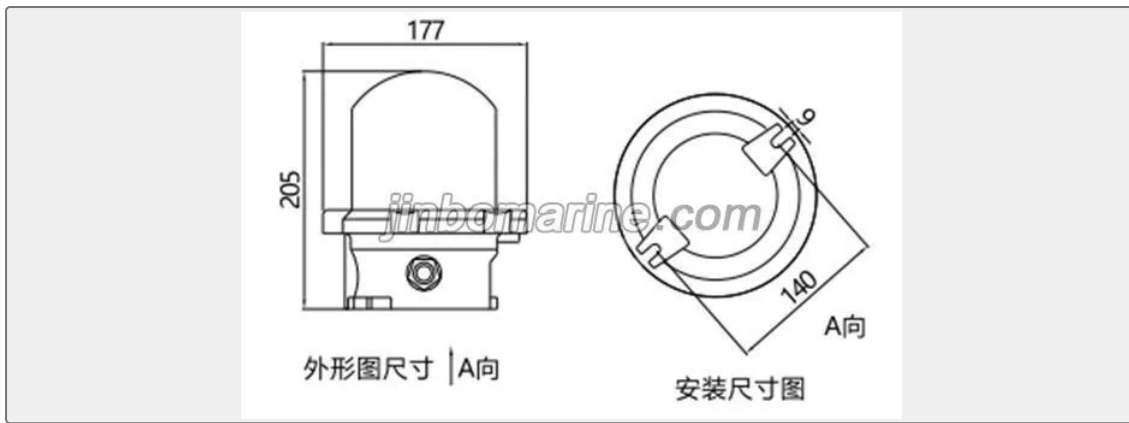
Category	HSM Watertight Door Indication System	Model / SKU	BJD-R-Explosion-Proof-Warning-Light
Standard	EN	Material	BJD-R Explosion-Proof Warning Light 1)Chapter 2 of Part 4 of the "Steel Ship Classification Rules" of the China Classification Society;
Certificate	ABS, LR, BV, DNVGL, NK, KR, IRS, RMRS, CCS	Warranty	12 Months unless specified otherwise
Origin	China		

China BJD-R Explosion-Proof Warning Light:

BJD-R Explosion-Proof Warning Light

- 1)Chapter 2 of Part 4 of the "Steel Ship Classification Rules" of the China Classification Society;
- 2)IMO Resolution A.1021(26) Code on Alerts and Indicators, 2009





Colour: Red

Power supply: DC24V

Ex rating: Exd[ib] IIC T6

IP rating: IP66

Cable entry: G3/4(10-14mm)