

Jinbo Marine

Marine & Offshore Equipment Datasheet

PRODUCT DATASHEET

MARINE TRANSFORMERS

BK-150 Series Marine Control Transformer

ISO9001 Supplier

Class Certificate

Export Supply

BK-150 Series Marine Control Transformer: 1、 Purpose The control transformer of this series (hereinafter referred to as transformer) is applied to frequency of AC 50~60 Hz and circuit of 500V; i...



Key Highlights

Category	Marine Transformers
Standard	DIN
Weight / Size	Type Rated power Primary rated voltage (V) Secondary rated voltage (V) (V...
Certificate	CCS BV CE

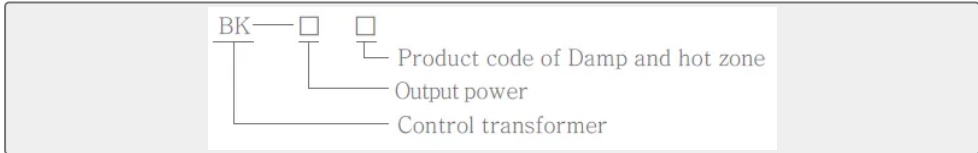
We can supply according to your requirement, drawings, class certificate needs, and delivery schedule.



Technical Specifications			
Category	Marine Transformers	Model / SKU	BK-150-Series-Marine-Control-Transformer
Standard	DIN	Weight / Size	Type Rated power Primary rated voltage (V) Secondary rated voltage (V) (VA) BK-50 50 220 380 420 500 110-220 440-220 6 12 24 36 110 6.3-36-110 127 220 380 BK-100 100 BK-150 150 BK-250 250 BK-300 300 BK-400 400 BK-500 500 BK-1000 1000 BK-1500 1500 BK-2000 2000 BK-3000 3000 BK-4000 4000 BK-5000 5000 Dimensions and install size:
Certificate	CCS BV CE	Warranty	12 Months unless specified otherwise
Origin	China		

CONTENTS	■ BK-150 Series Marine Control Transformer:	■ Basic parameters:
	■ Dimensions and install size:	

BK-150 Series Marine Control Transformer:



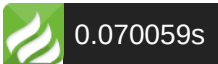
1、 Purpose

The control transformer of this series (hereinafter referred to as transformer) is applied to frequency of AC 50~60 Hz and circuit of 500V; it is often used as machine-tool control apparatus or power transformer for local lighting, and also can be used as small power transformer using for various electric equipment.

2、 Service conditions

- I A height above sea-level not exceeding 1000m;
- I A temperature of ambient air not below -25°C and not above +45°C ;
- I Relative air humidity: ordinary type ≤85°C, damp and hot type ≤95°C;
- I In medium without risk of explosion and with too insufficient air and electric insulation dust to corrode metal and damage insulation;
- I In environment without water vapor and equipped with rainproof device.

3、 Structure



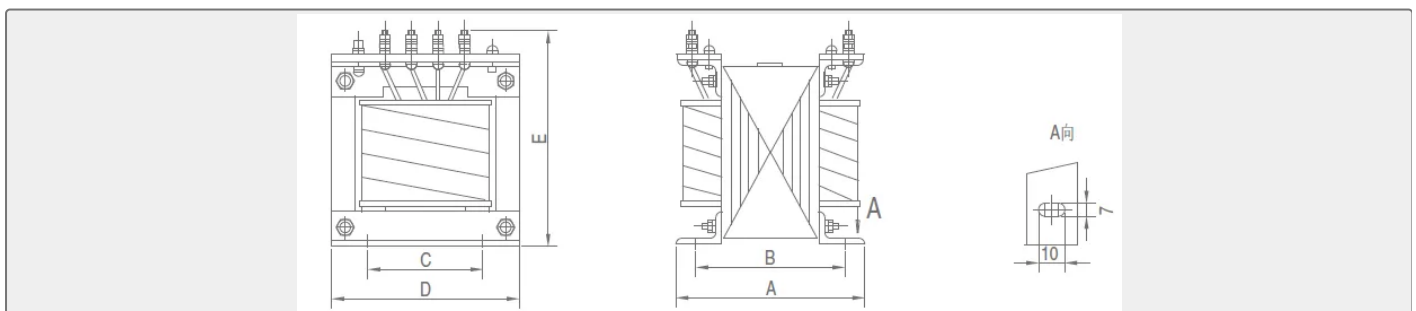
The single-phase multi-winding shell-type transformers is used as BK series control transformer, the main structure is shown as follows: Picture

- I Shell-type is used as iron core, which is laminated;
- I winding can be two-winding or multi-winding.

Basic parameters:

Type	Rated power	Primary rated voltage (V)	Secondary rated voltage (V)
	(VA)		
BK-50	50	220 380 420 500 110-220 440-220	6 12 24 36 110 6.3-36-110 127 220 380
BK-100	100		
BK-150	150		
BK-250	250		
BK-300	300		
BK-400	400		
BK-500	500		
BK-1000	1000		
BK-1500	1500		
BK-2000	2000		
BK-3000	3000		
BK-4000	4000		
BK-5000	5000		

Dimensions and install size:



Type	A	B	C	D	E
BK-150	115	96±1.5	88±1.5	105	135
BK-250	135	78±2	106	160	165
BK-300	140	91±2	106	160	165
BK-400	145	101±2	106	160	165
BK-500	165	121±2	106	160	165

BK-1000	190	161±2	106	160	165
BK-1500	190	150±2.5	163	195	200
BK-2000	220	164±2.5	163	195	200
BK-3000	210	144±2.5	250	300	280
BK-4000	225	156±2.5	250	300	280
BK-5000	235	166±2.5	250	300	280