

Jinbo Marine

Marine & Offshore Equipment Datasheet

PRODUCT DATASHEET

MARINE TRANSFORMERS

BKC-25 Series Marine Control Transformer

ISO9001 Supplier

Class Certificate

Export Supply

BKC-25 Series Marine Control Transformer: 1、 Purpose This control transformer is applied to AC. 50–60 Hz, frequency often used as power transformer which in machine-tool electrical control o...



Key Highlights

| | |
|---------------|--|
| Category | Marine Transformers |
| Standard | DIN |
| Weight / Size | Type Type Rated power (VA) Primary rated voltage (V) Secondary rated volt... |
| Certificate | CCS BV CE |

We can supply according to your requirement, drawings, class certificate needs, and delivery schedule.

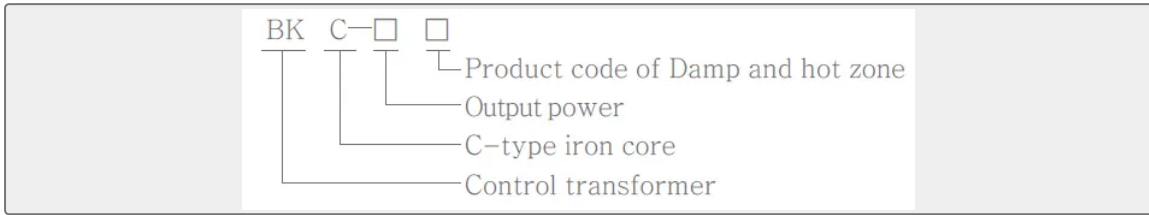
Technical Specifications

| | | | |
|-------------|---------------------|---------------|---|
| Category | Marine Transformers | Model / SKU | BKC-25-Series-Marine-Control-Transformer |
| Standard | DIN | Weight / Size | Type Type Rated power (VA) Primary rated voltage (V) Secondary rated voltage (V) 1 BKC-25 25 220 380 420 500 110-220 440-220 6.3 12 24 36 110 127 220 380 2 BKC-50 50 3 BKC-100 100 4 BKC-150 150 5 BKC-250 250 Dimensions: |
| Certificate | CCS BV CE | Warranty | 12 Months unless specified otherwise |
| Origin | China | | |



| | | |
|-----------------|---|-------------------|
| CONTENTS | ■ BKC-25 Series Marine Control Transformer: | ■ Technical data: |
| | ■ Dimensions: | |

BKC-25 Series Marine Control Transformer:



1. Purpose

This control transformer is applied to AC. 50~60 Hz, frequency often used as power transformer which in machine-tool electrical control or local lighting, and also can be used as small power transformer using for all kinds of electric equipment.

2. Service conditions

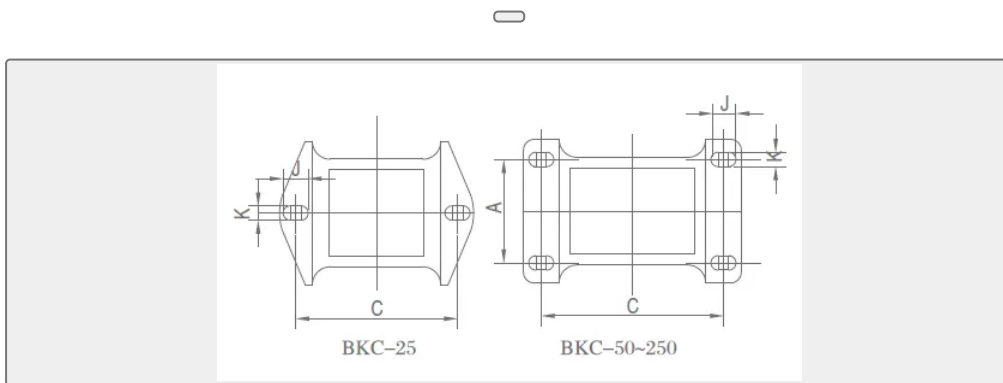
- n A height above sea-level not exceeding 1000m;
- n A temperature of ambient air not below -25°C and not above +45°C ;
- n Relative air humidity: ordinary type ≤85°C, damp and hot type ≤95°C;
- n In medium without risk of explosion and with too insufficient air and electric insulation dust to corrode metal and damage insulation;
- n In environment without water vapor and equipped with rainproof device.

3. Structure

The single-phase multi-winding core transformer is used as BKC series control transformer, the main structure is shown as follows:

- I C-type winding is used as iron core.
- I Winding can be two-winding or multi-windings.

Technical data:



| Type | Type | Rated power (VA) | Primary rated voltage (V) | Secondary rated voltage (V) |
|------|------|------------------|---------------------------|-----------------------------|
| | | | | |



| | | | | |
|---|---------|-----|---------------------------------------|---------------------------------------|
| 1 | BKC-25 | 25 | 220 380 420 500 110-220 440-220 | 6.3 12 24 36 110 127 220 380 |
| 2 | BKC-50 | 50 | | |
| 3 | BKC-100 | 100 | | |
| 4 | BKC-150 | 150 | | |
| 5 | BKC-250 | 250 | | |

Dimensions:

| Type | Rated power | A | B | C | D | E | J | K |
|---------|-------------|---------|--------|--------|--------|-----|-----|---|
| | (VA) | | | | | | | |
| BKC-25 | 25 | 61 | 60±1.5 | 76±1.5 | 95 | 6.5 | 4.5 | |
| BKC-50 | 50 | 50±0.2 | 78 | 60±1.5 | 76±1.5 | 110 | 8 | 5 |
| BKC-100 | 100 | 56±0.23 | 78 | 78±1.5 | 96±2.5 | 115 | 9 | 6 |
| BKC-150 | 150 | 56±0.23 | 94 | 78±1.5 | 96±2.5 | 135 | 9 | 6 |
| BKC-250 | 250 | 77±0.23 | 104 | 80±1.5 | 98±2.5 | 145 | 9 | 6 |