

D RING AND LASHING EYES

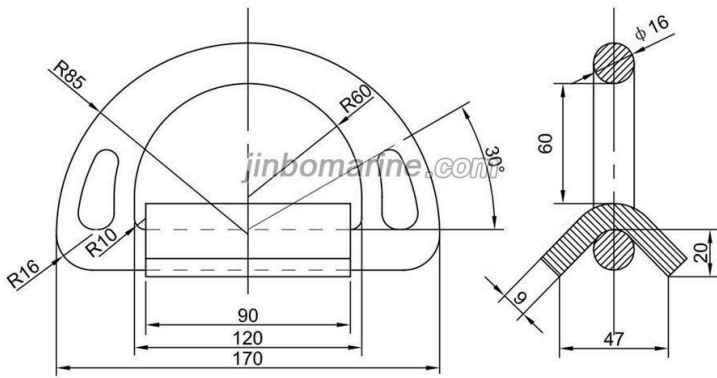
BL 20 Ton Type DR1-20 D Ring And Clamp

ISO9001 Supplier

Class Certificate

Export Supply

BL-20 Ton Type DR1/20 D Ring And Clamp Model No.DR-1/20 B.L.200KN Weight 1.2kg
 Classification:all items are approved by major classification societies. Materials:Forged & High tensile st...



Key Highlights

Category	D Ring And Lashing Eyes
Standard	EN
Material	Materials:Forged & High tensile steel.
Weight / Size	BL-20 Ton Type DR1/20 D Ring And Clamp Model No.DR-1/20 B.L.200KN Weight...
Certificate	major classification societies.

We can supply according to your requirement, drawings, class certificate needs, and delivery schedule.

Technical Specifications

Category	D Ring And Lashing Eyes	Model / SKU	BL-20-Ton-Type-DR1-20-D-Ring-And-Clamp
Standard	EN	Material	Materials:Forged & High tensile steel.
Weight / Size	BL-20 Ton Type DR1/20 D Ring And Clamp Model No.DR-1/20 B.L.200KN Weight 1.2kg Classification:all items are approved by major classification societies.	Surface	Hot dip galvanized
Certificate	major classification societies.	Warranty	12 Months unless specified otherwise
Origin	China		



China BL 20 Ton Type DR1-20 D Ring And Clamp:

BL-20 Ton Type DR1/20 D Ring And Clamp

Model No.DR-1/20

B.L.200KN

Weight 1.2kg

Classification:all items are approved by major classification societies.

Materials:Forged & High tensile steel.

Finish:Hot dip galvanized & painted