

Jinbo Marine

Marine & Offshore Equipment Datasheet

PRODUCT DATASHEET

CHAIN SLING

BLT081 Lifting Point With Metric Thread

ISO9001 Supplier

Class Certificate

Export Supply

BLT081 Lifting Point With Metric Thread 1.360°rotation, 180°flip The lifting ring can rotate with the direction of the force to adjust the angle of the force. 2.Alloy steel, electrostatic spraying The bolts ar...



Key Highlights

Category	Chain Slings
Standard	DIN
Material	2.Alloy steel, electrostatic spraying The bolts are made of alloy steel ...
Weight / Size	Outer hexagonal + inner hexagonal design is convenient and quick to inst...
Certificate	ABS, LR, BV, DNVGL, NK, KR, IRS, RMRS, CCS

We can supply according to your requirement, drawings, class certificate needs, and delivery schedule.



Technical Specifications			
Category	Chain Sling	Model / SKU	BLT081-Lifting-Point-With-Metric-Thread
Standard	DIN	Material	2.Alloy steel, electrostatic spraying The bolts are made of alloy steel 42CrMo, the tensile strength before heat treatment is 1080Mpa, the mechanical properties are improved after the material is changed, and the surface of the ring is sprayed with electrostatic spraying after boiling to improve the surface anti-corrosion ability.
Weight / Size	Outer hexagonal + inner hexagonal design is convenient and quick to install 5.Complete specifications The thread specifications are complete, the rated load range is wide (M8-M150, 0.3T-50T), and the thread size can be customized according to customer requirements.	Surface	2.Alloy steel, electrostatic spraying The bolts are made of alloy steel 42CrMo, the tensile strength before heat treatment is 1080Mpa, the mechanical properties are improved after the material is changed, and the surface of the ring is sprayed with electrostatic spraying after boiling to improve the surface anti-corrosion ability.
Certificate	ABS, LR, BV, DNVGL, NK, KR, IRS, RMRS, CCS	Warranty	12 Months unless specified otherwise
Origin	China		

CONTENTS

- BLT081 Lifting Point With Metric Thread

- BLT081 Lifting Point With Metric Thread Drawing

- BLT081 Lifting Point With Metric Thread Parameters

BLT081 Lifting Point With Metric Thread

1.360°rotation, 180°flip

The lifting ring can rotate with the direction of the force to adjust the angle of the force.

2.Alloy steel, electrostatic spraying

The bolts are made of alloy steel 42CrMo, the tensile strength before heat treatment is 1080Mpa, the mechanical properties are improved after the material is changed, and the surface of the ring is sprayed with electrostatic spraying after boiling to improve the surface anti-corrosion ability.

3.4 times safety factor

Different loads can be lifted in different directions, but 4 times safety factor is guaranteed

4.Easy to install

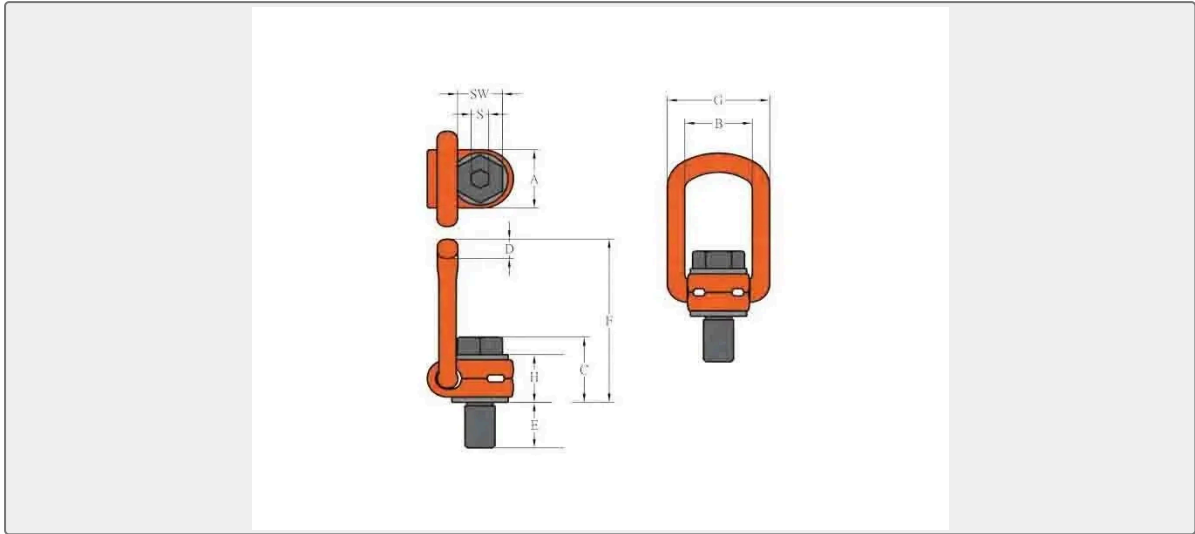
The inner space of the ring body is large and can be linked with various spreader hooks. The ring body has a built-in positioning circlip device, which is more convenient to control any angle and can be laid flat. Outer hexagonal + inner hexagonal design is convenient and quick to install

5.Complete specifications



The thread specifications are complete, the rated load range is wide (M8-M150, 0.3T-50T), and the thread size can be customized according to customer requirements.

BLT081 Lifting Point With Metric Thread Drawing



BLT081 Lifting Point With Metric Thread Parameters

ITEM NO.	WLL/T	THREAD/M	TORQUE/Nm	WEIGHT/KG
BLT081-M8	0.3	M8X1.25-6G	30	0.5
BLT081-M10	0.63	M10X1.5-6G	60	0.5
BLT081-M12	1	M12X1.75-6G	100	0.5
BLT081-M14	1.2	M14X2.0-6G	120	0.5
BLT081-M16	1.2	M16X2.0-6G	150	0.5
BLT081-M18	2	M18X2.5-6G	200	1.5
BLT081-M20	2.5	M20X2.5-6G	250	1.5
BLT081-M24	4	M24X3-6G	400	1.5
BLT081-M27	4	M27X3.0-6g	400	3
BLT081-M30	5	M30X3.5-6G	500	3.5
BLT081-M36	7	M36X4.0-6G	700	3.5
BLT081-M36B	8	M36X4.0-6G	800	6
BLT081-M42	10	M42X4.5-6G	1000	6.5
BLT081-M42B	15	M42X4.5-6G	1500	11
BLT081-M48	20	M48X5.0-6G	2000	12

ITEM NO.	TECHNICAL PARAMETERS/MM				
	E	A	B	C	D



BLT081-M8	11	34	37	42	14
BLT081-M10	16	34	37	44	14
BLT081-M12	18	34	37	45	14
BLT081-M14	21	34	37	46	14
BLT081-M16	24	34	37	48	14
BLT081-M18	26	50	54	57	16.5
BLT081-M20	3	50	54	58	16.5
BLT081-M24	36	50	54	61	16.5
BLT081-M27	38	60	65	80	22
BLT081-M30	48	60	65	82	22
BLT081-M36	54	60	65	85	22
BLT081-M36B	62	77	85	104	27
BLT081-M42	72	77	85	106	27
BLT081-M42B	63	95	104	117	36
BLT081-M48	72	95	104	120	36

ITEM NO.	TECHNICAL PARAMETERS/MM				
	F	G	H	S	SW
BLT081-M8	99	57	36	6	13
BLT081-M10	99	57	36	6	16
BLT081-M12	99	57	36	8	18
BLT081-M14	99	57	36	10	21
BLT081-M16	99	57	36	10	24
BLT081-M18	144	82	44	12	27
BLT081-M20	144	82	44	12	30
BLT081-M24	144	82	44	14	36
BLT081-M27	171	99	62	17	41
BLT081-M30	171	99	62	17	46
BLT081-M36	174	99	60	22	55
BLT081-M36B	227	123	79	22	55
BLT081-M42	227	123	79	22	65
BLT081-M42B	258.5	158	90	22	65
BLT081-M48	258.5	158	90	27	75