

Jinbo Marine

Marine & Offshore Equipment Datasheet

PRODUCT DATASHEET

CHAIN SLING

BLT083-M8 Swivel Hoist Ring with Metric Thread

ISO9001 Supplier

Class Certificate

Export Supply

BLT083-M8 Swivel Hoist Ring with Metric Thread 1. 360° rotation, 180 ° swing The inside is a roller structure with uniform force and smooth rotation. When the direction of the force changes, the ring rotates with ...



Key Highlights

Category	Chain Sling
Standard	DIN
Material	Alloy steel, electrostatic spraying The bolts are made of alloy steel 42...
Weight / Size	Complete specifications The thread specifications are complete, the rate...
Certificate	ABS, LR, BV, DNVGL, NK, KR, IRS, RMRS, CCS

We can supply according to your requirement, drawings, class certificate needs, and delivery schedule.



Technical Specifications			
Category	Chain Sling	Model / SKU	BLT083-M8-Swivel-Hoist-Ring-with-Metric-Thread
Standard	DIN	Material	Alloy steel, electrostatic spraying The bolts are made of alloy steel 42CrMo, the tensile strength before heat treatment is 1080Mpa, the mechanical properties are improved after the material is changed, and the surface of the ring is sprayed with electrostatic spraying after boiling to improve the surface anti-corrosion ability.
Weight / Size	Complete specifications The thread specifications are complete, the rated load range is wide (M8-M150, 0.3T-50T), and the thread size can be customized according to customer requirements.	Surface	Alloy steel, electrostatic spraying The bolts are made of alloy steel 42CrMo, the tensile strength before heat treatment is 1080Mpa, the mechanical properties are improved after the material is changed, and the surface of the ring is sprayed with electrostatic spraying after boiling to improve the surface anti-corrosion ability.
Certificate	ABS, LR, BV, DNVGL, NK, KR, IRS, RMRS, CCS	Warranty	12 Months unless specified otherwise
Origin	China		

CONTENTS

- BLT083-M8 Swivel Hoist Ring with Metric Thread
- BLT083-M8 Swivel Hoist Ring with Metric Thread Drawing
- Technical Parameters ITEM NO. TECHNICAL PARAMETERS/MM F A B C
 - BLT083-M8 12 12 44 30
 - BLT083-M10 19 12 44 30
 - BLT083-M12 19 12 44 30
 - BLT083-M14 31.8 12 44 30
 - BLT083-M16 31.8 12 44 30
 - BLT083-M16B 30 16 56.5 34
 - BLT083-M18 38.1 20 67 40
 - BLT083-M20S 30 16 56.5 34
 - BLT083-M20 38.1 20 67 40
 - BLT083-M22 38.1 20 67 40
 - BLT083-M24 38.1 20 67 40
 - BLT083-M30 50 22 95 51
 - BLT083-M33 50 22 95 51
 - BLT083-M36 54 22 95 51
 - BLT083-M39 58 22 95 51
 - BLT083-M42 63 26 108 65
 - BLT083-M45 68 26 108 65
 - BLT083-M48 68 26 108 65
 - BLT083-M52 84 32 120 70
 - BLT083-M56 84 32 120 70
 - BLT083-M60 90 32 120 70
 - BLT083-M64 95 32 120 70
 - BLT083-M72 108 40 165 80
 - BLT083-M80 120 40 165 80
 - BLT083-M90 135 40 165 80
 - BLT083-M100 135 40 165 80
- ITEM NO. TECHNICAL PARAMETERS/MM D E G T
 - BLT083-M8 40 37 45 97
 - BLT083-M10 40 37 45 97
 - BLT083-M12 40 37 45 97
 - BLT083-M14 40 37 45 97
 - BLT083-M16 40 37 45 97
 - BLT083-M16B 59 54.5 64.5 150.5
 - BLT083-M18 70 64.3 16 160
 - BLT083-M20S 59 54.5 64.5 150.5
 - BLT083-M20 70 64.3 76 160
 - BLT083-M22 70 64.3 76 160
 - BLT083-M24 70 64.3 76 160
 - BLT083-M30 79 74 91 206
 - BLT083-M33 79 74 91 206
 - BLT083-M36 79 74 91 206
 - BLT083-M39 79 74 91 206
 - BLT083-M42 93 85 100.5 230.5
 - BLT083-M45 93 85 100.5 230.5
 - BLT083-M48 93 85 100.5 230.5
 - BLT083-M52 105 95 132 278
 - BLT083-M56 105 95 132 278
 - BLT083-M60 105 95 132 278
 - BLT083-M64 105 95 132 278
 - BLT083-M72 158 142 174 339
 - BLT083-M80 158 142 174 339
 - BLT083-M90 158 142 174 339
 - BLT083-M100 158 142 174 339
- ITEM NO. WLL/T THREAD/M WEIGHT/KG
 - BLT083-M8 0.3 M8X1.25-6G 0.5
 - BLT083-M10 0.45 M10X1.5-6G 0.5
 - BLT083-M12 0.6 M12X1.75-6G 0.5
 - BLT083-M14 1 M14X2.0-6G 0.5
 - BLT083-M16 1.3 M16X2.0-6G 0.5
 - BLT083-M16B 1.9 M16X2.0-6G 1.4
 - BLT083-M18 1.8 M18X2.5-6G 2.5
 - BLT083-M20S 2 M20X2.5-6G 1.4
 - BLT083-M20 2 M20X2.5-6G 2.5
 - BLT083-M22 2 M22X2.5-6G 2.5
 - BLT083-M24 3.5 M24X3-6G 2.5
 - BLT083-M30 6 M30X3.5-6G 4
 - BLT083-M33 6 M33X3.5-6G 4
 - BLT083-M36 8 M36X4.0-6G 4
 - BLT083-M39 8 M39X4.0-6G 4
 - BLT083-M42 12 M42X4.5-6G 6
 - BLT083-M45 12 M45X4.5-6G 6
 - BLT083-M48 13 M48X5.0-6G 6
 - BLT083-M52 14 M52X5.0-6G 11
 - BLT083-M56 16 M56X5.5-6G 11
 - BLT083-M60 16 M60X5.5-6G 11
 - BLT083-M64 16 M64X6.0-6G 11
 - BLT083-M72 25 M72X6.0-6G 23
 - BLT083-M80 30 M80X6.0-6G 24
 - BLT083-M90 35 M90X6.0-6G 26
 - BLT083-M100 35 M100X6.0-6G 26

BLT083-M8 Swivel Hoist Ring with Metric Thread

1. 360° rotation, 180 ° swing

The inside is a roller structure with uniform force and smooth rotation. When the direction of the force changes, the ring rotates with the direction of the force, and the ring does not generate torque.

2. Alloy steel, electrostatic spraying

The bolts are made of alloy steel 42CrMo, the tensile strength before heat treatment is 1080Mpa, the mechanical properties are improved after the material is changed, and the surface of the ring is sprayed with electrostatic spraying after boiling to improve the surface anti-corrosion ability.



3. 4 times safety factor

Different loads can be lifted in different directions, but 4 times safety factor is guaranteed

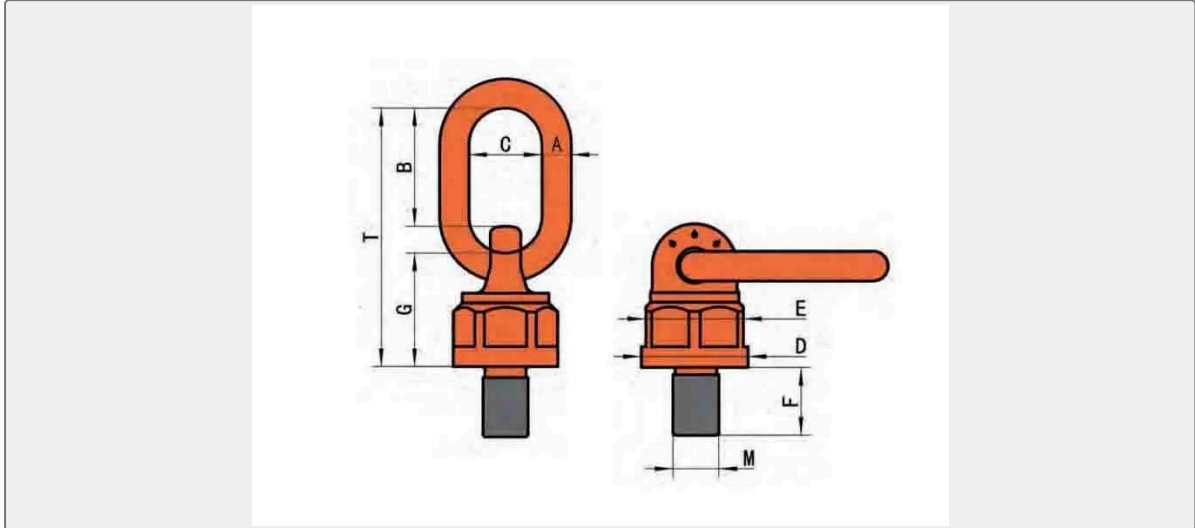
4. Easy to install

The design of six sides outside the lifting ring base can easily install the lifting point on the object to be lifted

5. Complete specifications

The thread specifications are complete, the rated load range is wide (M8-M150, 0.3T-50T), and the thread size can be customized according to customer requirements.

BLT083-M8 Swivel Hoist Ring with Metric Thread Drawing



ITEM NO.	TECHNICAL PARAMETERS /MM			
	F	A	B	C
BLT083-M8	12	14	40	30
BLT083-M10	19	12	40	30
BLT083-M12	19	12	40	30
BLT083-M14	31	12	40	30
BLT083-M16	31	12	40	30
BLT083-M16B	30	16	56	34

ITEM NO.	TECHNICAL PARAMETERS /MM			
	D	E	G	T
BLT083-M8	40	37	45	97
BLT083-M10	40	37	45	97
BLT083-M12	40	37	45	97
BLT083-M14	40	37	45	97
BLT083-M16	40	37	45	97
BLT083-M16B	59	54	64	105
BLT083-M18	70	64	106	160

ITEM NO.	WL L/T	THR EAD /M	WEI GHT /KG
BLT083-M8	0.3	M8X 1.25-6G	0.5
BLT083-M10	0.45	M10 X1.5-6G	0.5
BLT083-M12	0.6	M12 X1.7 5-6G	0.5
BLT083-M14	1	M14 X2.0-6G	0.5
BLT083-M16	1.3	M16 X2.0-6G	0.5
BLT083-M16B	1.9	M16 X2.0-6G	1.4



Technical Parameters

BLT083-M18	3 8 0 7 0 1	2 0	6 7	4 0
BLT083-M20S	3 0	1 6	5 6 5	3 4
BLT083-M20	3 8 0 7 0 1	2 0	6 7	4 0
BLT083-M22	3 8 0 7 0 1	2 0	6 7	4 0
BLT083-M24	3 8 0 7 0 1	2 0	6 7	4 0
BLT083-M30	5 0	2 2	9 5	5 1
BLT083-M33	5 0	2 2	9 5	5 1
BLT083-M36	5 4	2 2	9 5	5 1
BLT083-M39	5 8	2 2	9 5	5 1
BLT083-M42	6 3	2 6	1 0 8	6 5
BLT083-M45	6 8	2 6	1 0 8	6 5
BLT083-M48	6 8	2 6	1 0 8	6 5
BLT083-M52	8 4	3 2	1 2 0	7 0
BLT083-M56	8 4	3 2	1 2 0	7 0
BLT083-M60	9 0	3 2	1 2 0	7 0
BLT083-M64	9 5	3 2	1 2 0	7 0
BLT083-M72	1 0 8	4 0	1 6 5	8 0

BLT083-M20S	5 9	5 4 5	6 4 5	1 5 0 5
BLT083-M20	7 0	6 4 3	7 6	1 6 0
BLT083-M22	7 0	6 4 3	7 6	1 6 0
BLT083-M24	7 0	6 4 3	7 6	1 6 0
BLT083-M30	7 9	7 4	9 1	2 0 6
BLT083-M33	7 9	7 4	9 1	2 0 6
BLT083-M36	7 9	7 4	9 1	2 0 6
BLT083-M39	7 9	7 4	9 1	2 0 6
BLT083-M42	9 3	8 5	1 0 5	2 3 0 5
BLT083-M45	9 3	8 5	1 0 5	2 3 0 5
BLT083-M48	9 3	8 5	1 0 5	2 3 0 5
BLT083-M52	1 0 5	9 5	1 3 2	2 7 8
BLT083-M56	1 0 5	9 5	1 3 2	2 7 8
BLT083-M60	1 0 5	9 5	1 3 2	2 7 8
BLT083-M64	1 0 5	9 5	1 3 2	2 7 8

BLT083-M18	1.8	M18 X2.5 -6G	2.5
BLT083-M20S	2	M20 X2.5 -6G	1.4
BLT083-M20	2	M20 X2.5 -6G	2.5
BLT083-M22	2	M22 X2.5 -6G	2.5
BLT083-M24	3.5	M24 X3- 6G	2.5
BLT083-M30	6	M30 X3.5 -6G	4
BLT083-M33	6	M33 X3.5 -6G	4
BLT083-M36	8	M36 X4.0 -6G	4
BLT083-M39	8	M39 X4.0 -6G	4
BLT083-M42	12	M42 X4.5 -6G	6
BLT083-M45	12	M45 X4.5 -6G	6
BLT083-M48	13	M48 X5.0 -6G	6
BLT083-M52	14	M52 X5.0 -6G	11
BLT083-M56	16	M56 X5.5 -6G	11
BLT083-M60	16	M60 X5.5 -6G	11
BLT083-M64	16	M64 X6.0 -6G	11
BLT083-M72	25	M72 X6.0 -6G	23



BLT083-M80	1 2 0	4 0	1 6 5	8 0	BLT083-M72	1 5 8	1 4 2	1 7 4	3 3 9	BLT083-M80	30	M80 X6.0 -6G	24
BLT083-M90	1 3 5	4 0	1 6 5	8 0	BLT083-M80	1 5 8	1 4 2	1 7 4	3 3 9	BLT083-M90	35	M90 X6.0 -6G	26
BLT083-M100	1 3 5	4 0	1 6 5	8 0	BLT083-M90	1 5 8	1 4 2	1 7 4	3 3 9	BLT083-M100	35	M10 OX6. 0-6G	26
					BLT083-M100	1 5 8	1 4 2	1 7 4	3 3 9				

