

Jinbo Marine

Marine & Offshore Equipment Datasheet

PRODUCT DATASHEET

CHAIN SLING

BLT0832 Nut Type Hoist Ring

BLT0832 Nut Type Hoist Ring ITEM NO. WLL/T M Dimensional Parameters/mm Kg E ...

ISO9001 Supplier

Class Certificate

Export Supply



Key Highlights

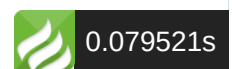
Category	Chain Sling
Standard	EN
Weight / Size	WLL/T M Dimensional Parameters/mm Kg E A±2 B±3 C D F±3 G K BLT0832-M8 0...
Certificate	ABS, LR, BV, DNVGL, NK, KR, IRS, RMRS, CCS

We can supply according to your requirement, drawings, class certificate needs, and delivery schedule.



Technical Specifications

Category	Chain Sling	Model / SKU	BLT0832-Nut-Type-Hoist-Ring
-----------------	-------------	--------------------	-----------------------------

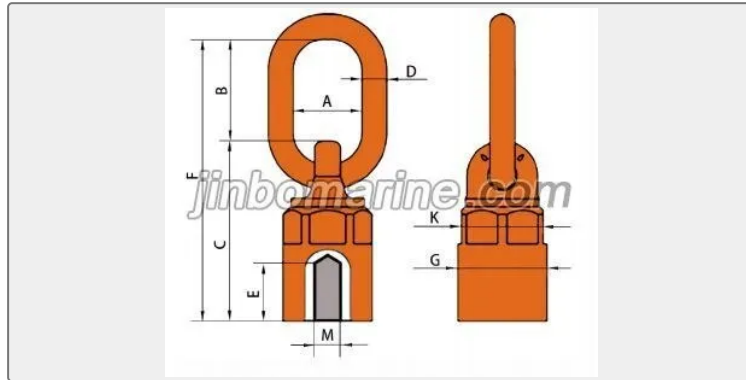


Standard	EN	Weight / Size	WLL/T M Dimensional
			Parameters/mm Kg E A±2 B±3 C
			D F±3 G K BLT0832-M8 0.4
			MBx1.25 15 30 43.5 82 12 1255
			40 37 0.7 BLT0832-M10 0.6
			M10x1.5 15 30 43.5 82 12 125.5
			40 37 0.7 BLT0832-M12 0.7
			M12x1.75 15 30 43.5 82 12 125.5
			40 37 0.7 BLT0832-M14 1.25
			M14x2.0 20 30 43.5 82 12 125.5
			40 37 0.7 BLT0832-M16 15
			M16x2.0 20 30 43.5 82 12 125.5
			40 37 0.7 BLT0832-M18 2
			M18x2.5 25 40 67 128 20 195 70
			64.5 3.2 BLT0832-M20 25
			M20x2.5 25 40 67 128 20 195 70
			64.5 3.2 BLT0832-M22 2.5
			M22x2.5 25 40 67 128 20 195 70
			64.5 3.2 BLT0832-M24 4 M24x3.0
			30 40 67 128 20 195 70 64.5 3.2
			BLT0832-M30 6 M30x3.5 40 51 95
			164 22 259 79 74 5.3 BLT0832-
			M33 7.5 M33x3.5 40 51 95 164 22
			259 79 74 5.3 BLT0832-M36 10
			M36x4.0 45 51 95 164 22 259 79
			74 5.2 8LT0832-M39 10 M39x4.0
			45 51 95 164 22 259 79 74 5.1
			BLT0832-M42 13 M42x4.5 63 65
			108 190.5 26 298.5 93 85 8.3
			BLT0832-M45 13 M45x4.5 68 65
			108 190.5 26 298.5 93 85 8.1
			BLT0832-M48 14 M48x5.0 68 65
			108 190.5 26 298.5 93 85 8
			BLT0832-M52 20 M52x5.0 84 70
			120 254 32 374 105 95 13.8
			BLT0832-M56 20 M56x5.5 84 70
			120 254 32 374 105 95 13.5
			8LT0832-M60 20 M60x5.5 90 70
			120 254 32 374 105 95 13.2
			8LT0832-M64 20 M64x6.0 95 70
			120 254 32 374 105 95 12.9
			BLT0832-M72 31.5 M72x6.0 108
			90 138 347 48 485 169 155 48
			BLT0832-M80 35 M80x6.0 120 90
			138 352 48 490 169 155 48
			BLT0832-M90 40 M90x6.0 135 90
			138 388 48 526 169 155 52
			BLT0832-M100 40 M100x5.0 135
			90 138 388 48 526 169 155 50

Certificate	ABS, LR, BV, DNVGL, NK, KR, IRS, RMRS, CCS	Warranty	12 Months unless specified otherwise
Origin	China		

China BLT0832 Nut Type Hoist Ring:

BLT0832 Nut Type Hoist Ring



ITEM NO.	WLL/T	M	Dimensional Parameters/mm								Kg
			E	A±2	B±3	C	D	F±3	G	K	
BLT0832-M8	0.4	MBx1.25	15	30	43.5	82	12	1255	40	37	0.7
BLT0832-M10	0.6	M10x1.5	15	30	43.5	82	12	125.5	40	37	0.7
BLT0832-M12	0.7	M12x1.75	15	30	43.5	82	12	125.5	40	37	0.7
BLT0832-M14	1.25	M14x2.0	20	30	43.5	82	12	125.5	40	37	0.7
BLT0832-M16	15	M16x2.0	20	30	43.5	82	12	125.5	40	37	0.7
BLT0832-M18	2	M18x2.5	25	40	67	128	20	195	70	64.5	3.2
BLT0832-M20	25	M20x2.5	25	40	67	128	20	195	70	64.5	3.2
BLT0832-M22	2.5	M22x2.5	25	40	67	128	20	195	70	64.5	3.2
BLT0832-M24	4	M24x3.0	30	40	67	128	20	195	70	64.5	3.2
BLT0832-M30	6	M30x3.5	40	51	95	164	22	259	79	74	5.3
BLT0832-M33	7.5	M33x3.5	40	51	95	164	22	259	79	74	5.3
BLT0832-M36	10	M36x4.0	45	51	95	164	22	259	79	74	5.2
8LT0832-M39	10	M39x4.0	45	51	95	164	22	259	79	74	5.1
BLT0832-M42	13	M42x4.5	63	65	108	190.5	26	298.5	93	85	8.3
BLT0832-M45	13	M45x4.5	68	65	108	190.5	26	298.5	93	85	8.1
BLT0832-M48	14	M48x5.0	68	65	108	190.5	26	298.5	93	85	8
BLT0832-M52	20	M52x5.0	84	70	120	254	32	374	105	95	13.8
BLT0832-M56	20	M56x5.5	84	70	120	254	32	374	105	95	13.5

8LT0832-M60	20	M60x5.5	90	70	120	254	32	374	105	95	13.2
8LT0832-M64	20	M64x6.0	95	70	120	254	32	374	105	95	12.9
BLT0832-M72	31.5	M72x6.0	108	90	138	347	48	485	169	155	48
BLT0832-M80	35	M80x6.0	120	90	138	352	48	490	169	155	48
BLT0832-M90	40	M90x6.0	135	90	138	388	48	526	169	155	52
BLT0832-M100	40	M100x5.0	135	90	138	388	48	526	169	155	50