

CHAIN SLING

BLT084 Eye Type Rotary Ring Metric Thread With Stopplate

ISO9001 Supplier

Class Certificate

Export Supply

BLT084 Eye Type Rotary Ring Metric Thread With Stopplate 1.BLT084 is equipped with a locking wrench, and BLT094 is equipped with a stop screw, which can be easily installed after being locked, and the lifting ring ...



Key Highlights

Category	Chain Sling
Standard	DIN
Material	4.Alloy steel, electrostatic spraying The bolts are made of alloy steel ...
Weight / Size	2.4 times safety factor Different loads can be lifted in different direc...
Certificate	ABS, LR, BV, DNVGL, NK, KR, IRS, RMRS, CCS

We can supply according to your requirement, drawings, class certificate needs, and delivery schedule.



Technical Specifications			
Category	Chain Sling	Model / SKU	BLT084-Eye-Type-Rotary-Ring-Metric-Thread-With-Stopplate
Standard	DIN	Material	4.Alloy steel, electrostatic spraying The bolts are made of alloy steel 42CrMo, the tensile strength before heat treatment is 1080Mpa, the mechanical properties are improved after the material is changed, and the surface of the ring is sprayed with electrostatic spraying after boiling to improve the surface anti-corrosion ability.
Weight / Size	2.4 times safety factor Different loads can be lifted in different directions, but 4 times safety factor is guaranteed 3.Complete specifications The thread specifications are complete, the rated load range is wide (M8-M48, 0.32T-32T), and the thread size can be customized according to customer requirements.	Surface	4.Alloy steel, electrostatic spraying The bolts are made of alloy steel 42CrMo, the tensile strength before heat treatment is 1080Mpa, the mechanical properties are improved after the material is changed, and the surface of the ring is sprayed with electrostatic spraying after boiling to improve the surface anti-corrosion ability.
Certificate	ABS, LR, BV, DNVGL, NK, KR, IRS, RMRS, CCS	Warranty	12 Months unless specified otherwise
Origin	China		

CONTENTS	■ BLT084 Eye Type Rotary Ring Metric Thread With Stopplate	■ BLT084 Eye Type Rotary Ring Metric Thread With Stopplate Drawing
	■ BLT084 Eye Type Rotary Ring Metric Thread With Stopplate Parameters	

BLT084 Eye Type Rotary Ring Metric Thread With Stopplate

1.BLT084 is equipped with a locking wrench, and BLT094 is equipped with a stop screw, which can be easily installed after being locked, and the lifting ring can be rotated after loosening.

2.4 times safety factor

Different loads can be lifted in different directions, but 4 times safety factor is guaranteed

3.Complete specifications

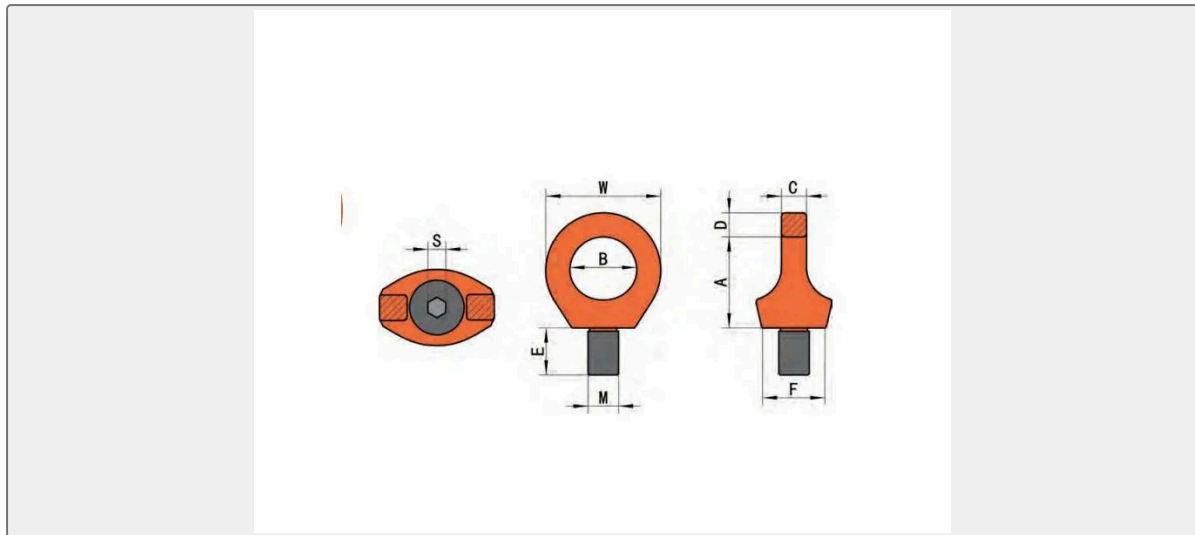
The thread specifications are complete, the rated load range is wide (M8-M48, 0.32T-32T), and the thread size can be customized according to customer requirements.

4.Alloy steel, electrostatic spraying

The bolts are made of alloy steel 42CrMo, the tensile strength before heat treatment is 1080Mpa, the mechanical properties are improved after the material is changed, and the surface of the ring is sprayed with electrostatic spraying after boiling to improve the surface anti-corrosion ability.



BLT084 Eye Type Rotary Ring Metric Thread With Stopplate Drawing



BLT084 Eye Type Rotary Ring Metric Thread With Stopplate Parameters

ITEM NO.	WLL/T		THREAD/M	WEIGHT /KG
	X	(Z)		
BLT084-M8	0.3	(1)	8	0.2
BLT084-M10	0.4	(1)	10	0.2
BLT084-M12	0.75	(2)	12	0.3
BLT084-M14	0.75	(2)	14	0.3
BLT084-M16	1.5	(4)	16	0.5
BLT084-M18	1.5	(4)	18	0.5
BLT084-M20	2.3	(6)	20	0.7
BLT084-M22	2.3	(6)	22	0.8
BLT084-M24	3.2	(8)	24	1.2
BLT084-M27	3.2	(8)	27	1.2
BLT084-M30	4.5	(12)	30	2.2
BLT084-M33	4.5	(12)	30	2.4
BLT084-M36	7	(16)	36	4
BLT084-M42	9	(24)	42	6.5
BLT084-M48	12	(32)	48	10

ITEM NO.	TECHNICAL PARAMETERS/MM			
	E	A	B	C
BLT084-M8	12	35	25	8.5



BLT084-M10	15	35	25	8.5
BLT084-M12	18	42	30	10
BLT084-M14	18	42	30	10
BLT084-M16	24	50	35	16
BLT084-M18	24	50	35	16
BLT084-M20	30	58	40	16
BLT084-M22	30	58	40	16
BLT084-M24	36	72.5	48	19
BLT084-M27	36	72.5	48	19
BLT084-M30	45	88.5	60	25
BLT084-M33	45	88.5	60	25
BLT084-M36	54	105	72	30
BLT084-M42	63	121.5	82	37
BLT084-M48	72	138.5	94	42

ITEM NO.	TECHNICAL PARAMETERS/MM			
	D	E	S	W
BLT084-M8	11	28	6.5	47
BLT084-M10	11	28	6.5	47
BLT084-M12	13	34	8.5	56
BLT084-M14	13	34	8.5	56
BLT084-M16	15	42	10.5	65
BLT084-M18	15	42	10.5	65
BLT084-M20	17.5	50	12.5	75
BLT084-M22	17.5	50	12.5	75
BLT084-M24	21	61	14.5	90
BLT084-M27	21	61	14.5	90
BLT084-M30	26	74	17.5	112
BLT084-M33	26	74	17.5	112
BLT084-M36	31.5	91	22.5	135
BLT084-M42	38	106	24.5	158
BLT084-M48	43	124	27.5	180