

CHAIN SLING

BLT089 Angular Contat Bearing Swivels-OU Style

- ISO9001 Supplier
- Class Certificate
- Export Supply

BLT089 Angular Contat Bearing Swivels-OU Style The rotating rings are made of high-strength and high-toughness special alloy steel forging and finishing, all of which are modulated and heat treated. The design saf...

| | | | | | | | | | | | |
|--|--|-----------------|-------------|-----------------|----|-----------------|---|----------------------|---|--------------------|--|
|  | <p>Key Highlights</p> <table border="1" style="width: 100%; border-collapse: collapse;"> <tr> <td style="background-color: #1a3d4d; color: white; padding: 5px;">Category</td> <td style="padding: 5px;">Chain Sling</td> </tr> <tr> <td style="background-color: #1a3d4d; color: white; padding: 5px;">Standard</td> <td style="padding: 5px;">EN</td> </tr> <tr> <td style="background-color: #1a3d4d; color: white; padding: 5px;">Material</td> <td style="padding: 5px;">BLT089 Angular Contat Bearing Swivels-OU Style The rotating rings are ma...</td> </tr> <tr> <td style="background-color: #1a3d4d; color: white; padding: 5px;">Weight / Size</td> <td style="padding: 5px;"> SIZE WLL/T WEIGHT/KG BLT089-007 0.75 0.75 0.5 BLT089-015 1.5 1.5 0.9 BLT... </td> </tr> <tr> <td style="background-color: #1a3d4d; color: white; padding: 5px;">Certificate</td> <td style="padding: 5px;">ABS, LR, BV, DNVGL, NK, KR, IRS, RMRS, CCS</td> </tr> </table> <p style="font-size: small; padding: 5px;">We can supply according to your requirement, drawings, class certificate needs, and delivery schedule.</p> | Category | Chain Sling | Standard | EN | Material | BLT089 Angular Contat Bearing Swivels-OU Style The rotating rings are ma... | Weight / Size | SIZE WLL/T WEIGHT/KG BLT089-007 0.75 0.75 0.5 BLT089-015 1.5 1.5 0.9 BLT... | Certificate | ABS, LR, BV, DNVGL, NK, KR, IRS, RMRS, CCS |
| Category | Chain Sling | | | | | | | | | | |
| Standard | EN | | | | | | | | | | |
| Material | BLT089 Angular Contat Bearing Swivels-OU Style The rotating rings are ma... | | | | | | | | | | |
| Weight / Size | SIZE WLL/T WEIGHT/KG BLT089-007 0.75 0.75 0.5 BLT089-015 1.5 1.5 0.9 BLT... | | | | | | | | | | |
| Certificate | ABS, LR, BV, DNVGL, NK, KR, IRS, RMRS, CCS | | | | | | | | | | |



| Technical Specifications | | | |
|--------------------------|---|--------------------|--|
| Category | Chain Sling | Model / SKU | BLT089-Angular-Contat-Bearing-Swivels-OU-Style |
| Standard | EN | Material | BLT089 Angular Contat Bearing Swivels-OU Style The rotating rings are made of high-strength and high-toughness special alloy steel forging and finishing, all of which are modulated and heat treated. |
| Weight / Size | SIZE WLL/T WEIGHT/KG BLT089-007 0.75 0.75 0.5 BLT089-015 1.5 1.5 0.9 BLT089-030 3 3 2.2 BLT089-050 5 5 4.4 BLT089-085 8.5 8.5 7.4 BLT089-100 10 10 18.0 BLT089-150 15 15 21.2 BLT089-250 25 25 40 BLT089-350 35 35 46.7 BLT089-600 60 60 ITEM NO. | Surface | galvanized |
| Certificate | ABS, LR, BV, DNVGL, NK, KR, IRS, RMRS, CCS | Warranty | 12 Months unless specified otherwise |
| Origin | China | | |

| | | |
|-----------------|---|--|
| CONTENTS | <ul style="list-style-type: none"> ■ BLT089 Angular Contat Bearing Swivels-OU Style ■ BLT089 Angular Contat Bearing Swivels-OU Style Parameters | <ul style="list-style-type: none"> ■ BLT089 Angular Contat Bearing Swivels-OU Style Drawing |
|-----------------|---|--|

BLT089 Angular Contat Bearing Swivels-OU Style

The rotating rings are made of high-strength and high-toughness special alloy steel forging and finishing, all of which are modulated and heat treated.

The design safety factor of the rotating ring is 4:1

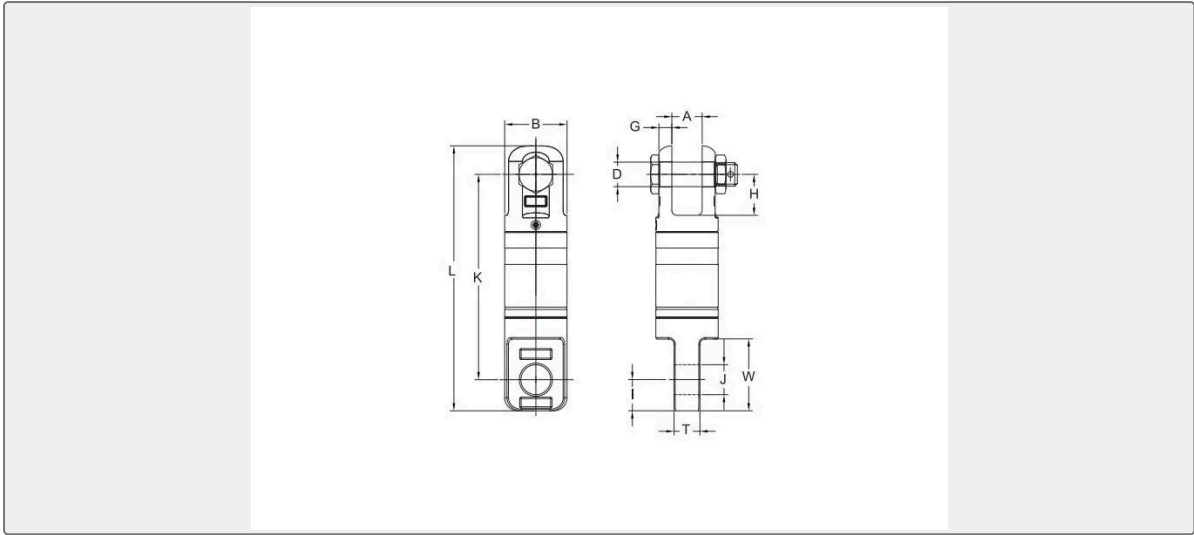
The independent test load should be twice the safe working load when the rotating ring is tested and certified.

The surface of the rotating ring is galvanized or plastic coated, so that the product can have better corrosion resistance and longevity.

The rotating ring is provided with a grease nipple to facilitate maintenance and make the product have better performance.



BLT089 Angular Contat Bearing Swivels-OU Style Drawing



BLT089 Angular Contat Bearing Swivels-OU Style Parameters

| ITEM NO. | SIZE | WLL/T | WEIGHT/KG |
|------------|------|-------|-----------|
| BLT089-007 | 0.75 | 0.75 | 0.5 |
| BLT089-015 | 1.5 | 1.5 | 0.9 |
| BLT089-030 | 3 | 3 | 2.2 |
| BLT089-050 | 5 | 5 | 4.4 |
| BLT089-085 | 8.5 | 8.5 | 7.4 |
| BLT089-100 | 10 | 10 | 18.0 |
| BLT089-150 | 15 | 15 | 21.2 |
| BLT089-250 | 25 | 25 | 40 |
| BLT089-350 | 35 | 35 | 46.7 |
| BLT089-600 | 60 | 60 | |

| ITEM NO. | TECHNICAL PARAMETERS/MM | | | | |
|------------|-------------------------|-----|-----|----|----|
| | B | K | L | A | G |
| BLT089-007 | 34 | 102 | 128 | 15 | 6 |
| BLT089-015 | 40 | 112 | 152 | 18 | 8 |
| BLT089-030 | 54 | 160 | 210 | 23 | 10 |
| BLT089-050 | 65 | 203 | 267 | 32 | 14 |
| BLT089-085 | 78 | 254 | 326 | 40 | 14 |
| BLT089-100 | 106 | 310 | 410 | 42 | 25 |
| BLT089-150 | 116 | 320 | 440 | 48 | 25 |
| BLT089-250 | 137 | 405 | 540 | 62 | 30 |



| BLT089-350 | 154 | 405 | 540 | 62 | 30 | |
|------------|-------------------------|-----|-----|------|-----|-----|
| BLT089-600 | 270 | 670 | 890 | 100 | 75 | |
| ITEM NO. | TECHNICAL PARAMETERS/MM | | | | | |
| | D | H | T | J | W | I |
| BLT089-007 | 10 | 22 | 12 | 10.5 | 35 | 13 |
| BLT089-015 | 13 | 26 | 15 | 13.5 | 46 | 20 |
| BLT089-030 | 19 | 32 | 20 | 20 | 57 | 25 |
| BLT089-050 | 22 | 37 | 26 | 33 | 69 | 32 |
| BLT089-085 | 30 | 54 | 32 | 37 | 88 | 38 |
| BLT089-100 | 38 | 54 | 42 | 44 | 104 | 50 |
| BLT089-150 | 38 | 57 | 49 | 54 | 117 | 60 |
| BLT089-250 | 50 | 70 | 60 | 66 | 140 | 70 |
| BLT089-350 | 50 | 70 | 60 | 66 | 140 | 70 |
| BLT089-600 | 80 | 115 | 70 | 80 | 230 | 115 |