

CHAIN SLING

BLT094 Eye Type Rotary Ring Metric Thread With Stopscrew

ISO9001 Supplier

Class Certificate

Export Supply

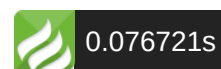
BLT094 Eye Type Rotary Ring Metric Thread With Stopscrew 1. BLT084 is equipped with a locking wrench, and BLT094 is equipped with a stop screw, which can be easily installed after being locked, and the lifting ring ...



Key Highlights

Category	Chain Slings
Standard	DIN
Material	4. Alloy steel, electrostatic spraying The bolts are made of alloy steel ...
Weight / Size	2.4 times safety factor Different loads can be lifted in different direc...
Certificate	ABS, LR, BV, DNVGL, NK, KR, IRS, RMRS, CCS

We can supply according to your requirement, drawings, class certificate needs, and delivery schedule.



Technical Specifications			
Category	Chain Sling	Model / SKU	BLT094-Eye-Type-Rotary-Ring-Metric-Thread-With-Stopscrew
Standard	DIN	Material	4.Alloy steel, electrostatic spraying The bolts are made of alloy steel 42CrMo, the tensile strength before heat treatment is 1080Mpa, the mechanical properties are improved after the material is changed, and the surface of the ring is sprayed with electrostatic spraying after boiling to improve the surface anti-corrosion ability.
Weight / Size	2.4 times safety factor Different loads can be lifted in different directions, but 4 times safety factor is guaranteed 3.Complete specifications The thread specifications are complete, the rated load range is wide (M8-M48, 0.32T-32T), and the thread size can be customized according to customer requirements.	Surface	4.Alloy steel, electrostatic spraying The bolts are made of alloy steel 42CrMo, the tensile strength before heat treatment is 1080Mpa, the mechanical properties are improved after the material is changed, and the surface of the ring is sprayed with electrostatic spraying after boiling to improve the surface anti-corrosion ability.
Certificate	ABS, LR, BV, DNVGL, NK, KR, IRS, RMRS, CCS	Warranty	12 Months unless specified otherwise
Origin	China		

CONTENTS	■ BLT094 Eye Type Rotary Ring Metric Thread With Stopscrew	■ BLT094 Eye Type Rotary Ring Metric Thread With Stopscrew Drawing
	■ BLT094 Eye Type Rotary Ring Metric Thread With Stopscrew Parameters	

BLT094 Eye Type Rotary Ring Metric Thread With Stopscrew

1.BLT084 is equipped with a locking wrench, and BLT094 is equipped with a stop screw, which can be easily installed after being locked, and the lifting ring can be rotated after loosening.

2.4 times safety factor

Different loads can be lifted in different directions, but 4 times safety factor is guaranteed

3.Complete specifications

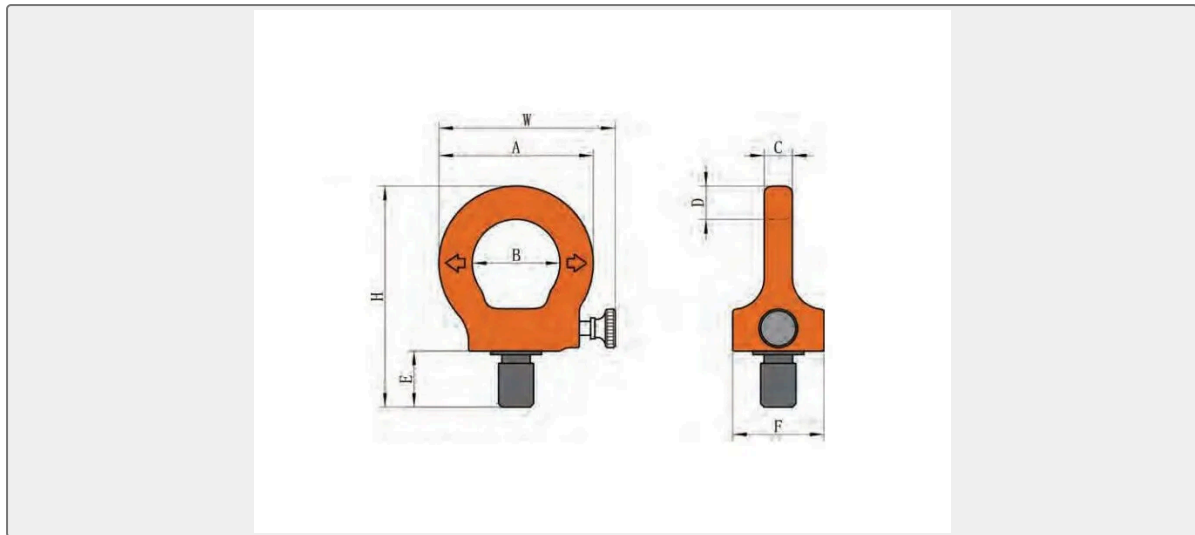
The thread specifications are complete, the rated load range is wide (M8-M48, 0.32T-32T), and the thread size can be customized according to customer requirements.

4.Alloy steel, electrostatic spraying

The bolts are made of alloy steel 42CrMo, the tensile strength before heat treatment is 1080Mpa, the mechanical properties are improved after the material is changed, and the surface of the ring is sprayed with electrostatic spraying after boiling to improve the surface anti-corrosion ability.

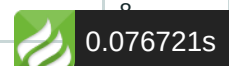


BLT094 Eye Type Rotary Ring Metric Thread With Stopscrew Drawing



BLT094 Eye Type Rotary Ring Metric Thread With Stopscrew Parameters

ITEM NO.	WLL/T		THREAD/M	WEIGHT /KG
	X	(Z)		
BLT094-M8	0.3	(1)	8	0.15
BLT094-M10	0.4	(1)	10	0.15
BLT094-M12	0.75	(2)	12	0.2
BLT094-M14	0.75	(2)	14	0.2
BLT094-M16	1.5	(4)	16	0.35
BLT094-M18	1.5	(4)	18	0.35
BLT094-M20	2.3	(6)	20	0.6
BLT094-M22	2.3	(6)	22	0.6
BLT094-M24	3.2	(8)	24	1
BLT094-M27	3.2	(8)	27	1
BLT094-M30	4.5	(12)	30	2
BLT094-M33	4.5	(12)	33	2
BLT094-M36	7	(16)	36	3
BLT094-M42	9	(24)	42	5
BLT094-M48	12	(32)	48	7.5
ITEM NO.	TECHNICAL PARAMETERS/MM			
	E	A	B	C
BLT094-M8	12	44	25	8
BLT094-M10	15	44	25	8



BLT094-M12	18	52	30	10
BLT094-M14	18	52	30	10
BLT094-M16	24	61	35	14
BLT094-M18	24	61	35	14
BLT094-M20	30	70	40	16
BLT094-M22	30	70	40	16
BLT094-M24	36	84	48	19
BLT094-M27	36	84	48	19
BLT094-M30	45	105	60	24
BLT094-M33	45	105	60	24
BLT094-M36	54	126	72	29
BLT094-M42	63	147	82	34
BLT094-M48	72	168	94	38
ITEM NO.	TECHNICAL PARAMETERS/MM			
	D	F	S	H
BLT094-M8	9.5	26	6	61
BLT094-M10	9.5	26	6	64
BLT094-M12	11	32	8	75
BLT094-M14	11	32	8	75
BLT094-M16	13	39	10	90
BLT094-M18	13	39	10	90
BLT094-M20	15	47	12	107
BLT094-M22	15	47	12	107
BLT094-M24	18	55	14	126
BLT094-M27	18	55	14	126
BLT094-M30	22.5	67	17	158
BLT094-M33	22.5	67	17	158
BLT094-M36	27	77	22	190
BLT094-M42	32.5	90	24	220
BLT094-M48	37	103	27	251.5