


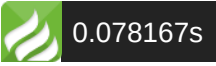
**CHAIN SLING**

# BLT094 Eye Type Rotary Ring Unc Thread With Stopscrew

- ISO9001 Supplier
- Class Certificate
- Export Supply

BLT094 Eye Type Rotary Ring Unc Thread With Stopscrew 1.BLT084 is equipped with a locking wrench, and BLT094 is equipped with a stop screw, which can be easily installed after being locked, and the lifting ring can...

	<p><b>Key Highlights</b></p> <table border="1" style="width: 100%; border-collapse: collapse;"> <tr> <td style="background-color: #1a3d4d; color: white; padding: 5px;"><b>Category</b></td> <td style="padding: 5px;">Chain Slings</td> </tr> <tr> <td style="background-color: #1a3d4d; color: white; padding: 5px;"><b>Standard</b></td> <td style="padding: 5px;">DIN</td> </tr> <tr> <td style="background-color: #1a3d4d; color: white; padding: 5px;"><b>Material</b></td> <td style="padding: 5px;">4.Alloy steel, electrostatic spraying The bolts are made of alloy steel ...</td> </tr> <tr> <td style="background-color: #1a3d4d; color: white; padding: 5px;"><b>Weight / Size</b></td> <td style="padding: 5px;">2.4 times safety factor Different loads can be lifted in different direc...</td> </tr> <tr> <td style="background-color: #1a3d4d; color: white; padding: 5px;"><b>Certificate</b></td> <td style="padding: 5px;">ABS, LR, BV, DNVGL, NK, KR, IRS, RMRS, CCS</td> </tr> </table> <p style="padding: 5px;">We can supply according to your requirement, drawings, class certificate needs, and delivery schedule.</p>	<b>Category</b>	Chain Slings	<b>Standard</b>	DIN	<b>Material</b>	4.Alloy steel, electrostatic spraying The bolts are made of alloy steel ...	<b>Weight / Size</b>	2.4 times safety factor Different loads can be lifted in different direc...	<b>Certificate</b>	ABS, LR, BV, DNVGL, NK, KR, IRS, RMRS, CCS
<b>Category</b>	Chain Slings										
<b>Standard</b>	DIN										
<b>Material</b>	4.Alloy steel, electrostatic spraying The bolts are made of alloy steel ...										
<b>Weight / Size</b>	2.4 times safety factor Different loads can be lifted in different direc...										
<b>Certificate</b>	ABS, LR, BV, DNVGL, NK, KR, IRS, RMRS, CCS										



Technical Specifications			
Category	Chain Sling	Model / SKU	BLT094-Eye-Type-Rotary-Ring-Unc-Thread-With-Stopscrew
Standard	DIN	Material	4.Alloy steel, electrostatic spraying The bolts are made of alloy steel 42CrMo, the tensile strength before heat treatment is 1080Mpa, the mechanical properties are improved after the material is changed, and the surface of the ring is sprayed with electrostatic spraying after boiling to improve the surface anti-corrosion ability.
Weight / Size	2.4 times safety factor Different loads can be lifted in different directions, but 4 times safety factor is guaranteed 3.Complete specifications The thread specifications are complete, the rated load range is wide (M8-M48, 0.32T-32T), and the thread size can be customized according to customer requirements.	Surface	4.Alloy steel, electrostatic spraying The bolts are made of alloy steel 42CrMo, the tensile strength before heat treatment is 1080Mpa, the mechanical properties are improved after the material is changed, and the surface of the ring is sprayed with electrostatic spraying after boiling to improve the surface anti-corrosion ability.
Certificate	ABS, LR, BV, DNVGL, NK, KR, IRS, RMRS, CCS	Warranty	12 Months unless specified otherwise
Origin	China		

CONTENTS			
	<ul style="list-style-type: none"> <li>■ BLT094 Eye Type Rotary Ring Unc Thread With Stopscrew</li> <li>■ BLT094 Eye Type Rotary Ring Unc Thread With Stopscrew Parameters</li> </ul>	<ul style="list-style-type: none"> <li>■ BLT094 Eye Type Rotary Ring Unc Thread With Stopscrew Drawing</li> </ul>	

## BLT094 Eye Type Rotary Ring Unc Thread With Stopscrew

1.BLT084 is equipped with a locking wrench, and BLT094 is equipped with a stop screw, which can be easily installed after being locked, and the lifting ring can be rotated after loosening.

2.4 times safety factor

Different loads can be lifted in different directions, but 4 times safety factor is guaranteed

3.Complete specifications

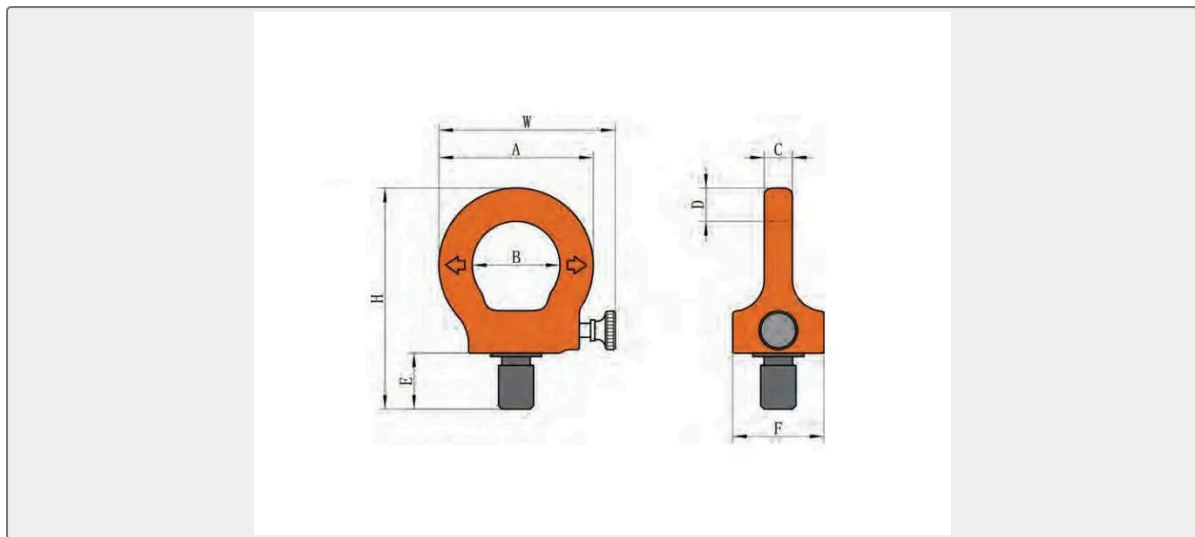
The thread specifications are complete, the rated load range is wide (M8-M48, 0.32T-32T), and the thread size can be customized according to customer requirements.

4.Alloy steel, electrostatic spraying

The bolts are made of alloy steel 42CrMo, the tensile strength before heat treatment is 1080Mpa, the mechanical properties are improved after the material is changed, and the surface of the ring is sprayed with electrostatic spraying after boiling to improve the surface anti-corrosion ability.



## BLT094 Eye Type Rotary Ring Unc Thread With Stopscrew Drawing



## BLT094 Eye Type Rotary Ring Unc Thread With Stopscrew Parameters

ITEM NO.	WLL/T		TPI	WEIGHT /KG
	X	(Z)		
BLT094-5/16	0.3	(1)	5/16-18UNC	0.15
BLT094-3/8	0.4	(1)	3/8-16UNC	0.15
BLT094-7/16	0.75	(2)	7/16-14UNC	0.2
BLT094-1/2	0.75	(2)	1/2-13UNC	0.2
BLT094-5/8	1.5	(4)	5/8-11UNC	0.35
BLT094-3/4	2.3	(6)	3/4-10UNC	0.6
BLT094-7/8	2.3	(6)	7/8-9UNC	0.6
BLT094-1	3.2	(8)	1-8UNC	1
BLT094-1-1/4	4.5	(12)	1 1/4-7UNC	2
BLT094-1-1/2	9	(24)	1 1/2-6UNC	5
BLT094-1-3/4	12	(32)	1 3/4-5UNC	7.5
ITEM NO.	TECHNICAL PARAMETERS/MM			
	E	A	B	C
BLT094-5/16	12	44	25	8
BLT094-3/8	15	44	25	8
BLT094-7/16	18	52	30	10
BLT094-1/2	18	52	30	10
BLT094-5/8	24	61	35	14
BLT094-3/4	30	70	40	16

BLT094-7/8	30	70	40	16
BLT094-1	36	84	48	19
BLT094-1-1/4	45	105	60	24
BLT094-1-1/2	63	147	82	34
BLT094-1-3/4	72	168	94	38
ITEM NO.	TECHNICAL PARAMETERS/MM			
	D	F	S	H
BLT094-5/16	9.5	26	6	61
BLT094-3/8	9.5	26	6	64
BLT094-7/16	11	32	8	75
BLT094-1/2	11	32	8	75
BLT094-5/8	13	39	10	90
BLT094-3/4	15	47	12	107
BLT094-7/8	15	47	12	107
BLT094-1	18	55	14	126
BLT094-1-1/4	22.5	67	17	158
BLT094-1-1/2	32.5	90	24	220
BLT094-1-3/4	37	103	27	251.5