

CHAIN SLING

BLT098 Ultra-High Load Flange Hoist Ring

ISO9001 Supplier

Class Certificate

Export Supply

BLT098 Ultra-High Load Flange Hoist Ring Metric Thread: ITEM NO. WLL/T M Dimensional...



Key Highlights

Category	Chain Sling
Standard	EN
Weight / Size	WLL/T M Dimensional Parameters/mm Locking Torque/Nm Kg A B C D E F G H K...
Certificate	ABS, LR, BV, DNVGL, NK, KR, IRS, RMRS, CCS

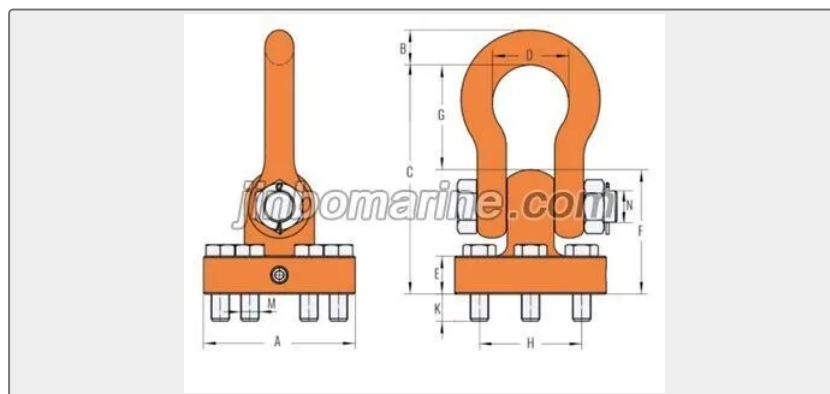
We can supply according to your requirement, drawings, class certificate needs, and delivery schedule.



Technical Specifications			
Category	Chain Sling	Model / SKU	BLT098-Ultra-High-Load-Flange-Hoist-Ring
Standard	EN	Weight / Size	WLL/T M Dimensional Parameters/mm Locking Torque/Nm Kg A B C D E F G H K N BLT098-85T 85 6-M48X5.0 400 75 600 190 100 326 274 310 71 82 350-800 200 BLT098-100T 100 6-M48X5.0 400 75 600 190 100 326 274 310 71 82 350-800 200 BLT098-120T 120 6-M48X5.0 570 89 688.5 238 120 391.5 297 445 75 95 350-800 414 BLT098-150T 150 10-M42X4.5 570 102 729 275 120 417 312 420 63 108 350-800 487 BLT098-200T 200 10-M48X5.0 650 120 891 290 130 474 417 500 71 130 350-800 729 BLT098-250T 250 12-M48X5.0 730 140 1053 305 150 567.5 485.5 580 72 150 350-800 1031
Certificate	ABS, LR, BV, DNVGL, NK, KR, IRS, RMRS, CCS	Warranty	12 Months unless specified otherwise
Origin	China		

China BLT098 Ultra-High Load Flange Hoist Ring:

BLT098 Ultra-High Load Flange Hoist Ring



Metric Thread:

ITEM NO.	WLL/T	M	Dimensional Parameters/mm											Locking Torque/Nm	Kg	
			A	B	C	D	E	F	G	H	K	N				
																0.074505s

BLT098-85T	85	6-M48X5.0	40 0	75	60 0	19 0	10 0	32 6	27 4	31 0	7 1	82	350- 800	200
BLT098-100T	100	6-M48X5.0	40 0	75	60 0	19 0	10 0	32 6	27 4	31 0	7 1	82	350- 800	200
BLT098-120T	120	6-M48X5.0	57 0	89	68 8.5	23 8	12 0	39 1. 5	29 7	44 5	7 5	95	350- 800	414
BLT098-150T	150	10-M42X4.5	57 0	10 2	72 9	27 5	12 0	41 7	31 2	42 0	6 3	10 8	350- 800	487
BLT098-200T	200	10-M48X5.0	65 0	12 0	89 1	29 0	13 0	47 4	41 7	50 0	7 1	13 0	350- 800	729
BLT098-250T	250	12-M48X5.0	73 0	14 0	10 53	30 5	15 0	56 7. 5	48 5.5	58 0	7 2	15 0	350- 800	1031