

Jinbo Marine

Marine & Offshore Equipment Datasheet

PRODUCT DATASHEET

MOORING LINE

BOSS Mooring Link

BOSS Mooring Link is made of Best Stainless Steel, Sleek Design, Easy Maintenance, and best choice for Tugboat and Oil tanker.

ISO9001 Supplier

Class Certificate

Export Supply



Key Highlights

Category	Mooring Line
Material	Stainless Steel
Weight / Size	StainlessSteel Size:
Certificate	ABS, LR, BV, DNVGL, NK, KR, IRS, RMRS, CCS

We can supply according to your requirement, drawings, class certificate needs, and delivery schedule.

Technical Specifications

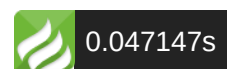
Category	Mooring Line	Model / SKU	BOSS-Mooring-Link
Material	Stainless Steel	Weight / Size	StainlessSteel Size:
Certificate	ABS, LR, BV, DNVGL, NK, KR, IRS, RMRS, CCS	Warranty	12 Months unless specified otherwise
Origin	China		

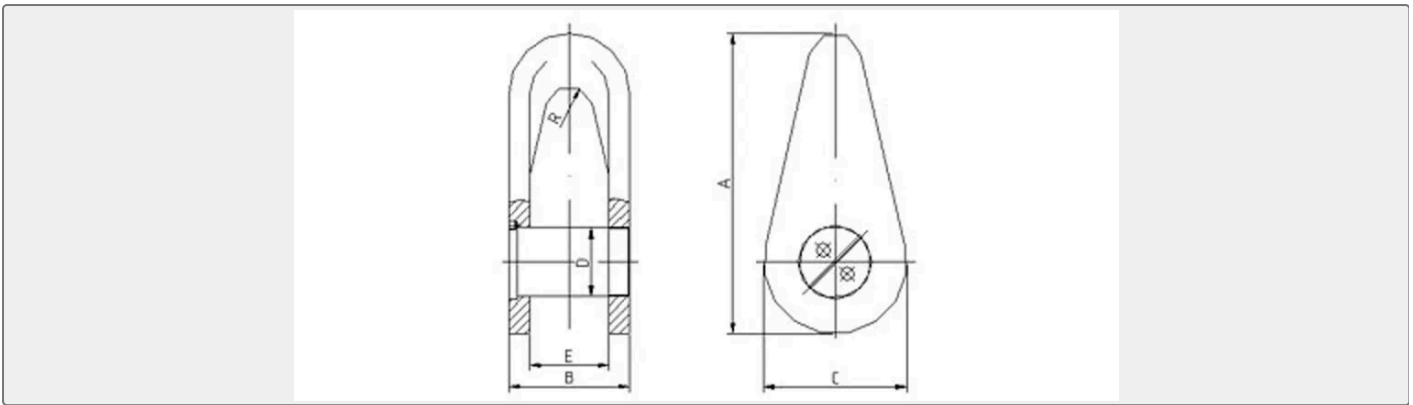
CONTENTS	■ Main Specification:	■ IMPA Code:
----------	-----------------------	--------------

Main Specification:

Material: StainlessSteel

Size: 90T, 120T,180T





Type	SWL (Ton)	A	B	C	D	E	R
		mm					
90T	30	285	115	136	65	75	22
120T	40	325	142	150	75	90	28
180T	60	350	184	160	85	120	30

IMPA Code:



IMPA Code	Product Description
211141	BOSS Link Without Roller
211142	BOSS Link Without Roller
211143	BOSS Link With Roller
211144	BOSS Link With Roller

