

Jinbo Marine

Marine & Offshore Equipment Datasheet

PRODUCT DATASHEET

MARINE TOOLS

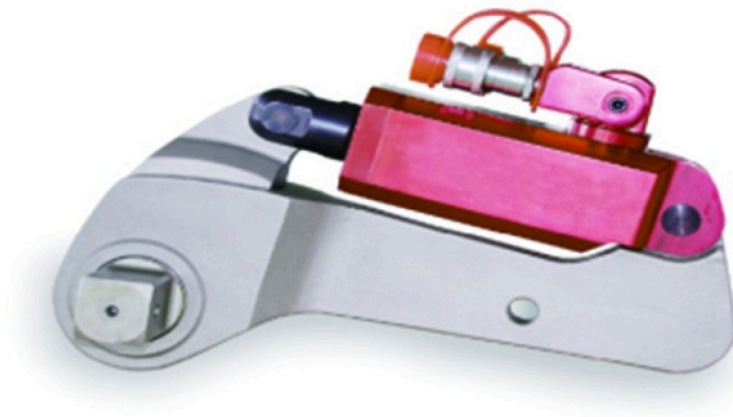
BXTD Series-Driving Hydraulic Torque Wrench

ISO9001 Supplier

Class Certificate

Export Supply

BXTD Series-Driving Hydraulic Torque Wrench The full streamline shape combines modern industrial design with the perfect combination of aluminum titanium alloy and alloy steel. The alum...



jinbomarine.com

Key Highlights

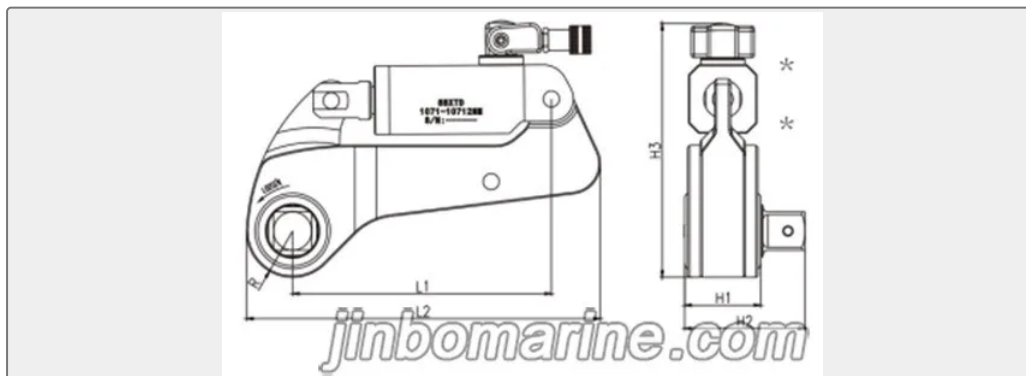
Category	Marine Tools
Standard	DIN
Material	BXTD Series-Driving Hydraulic Torque Wrench The full streamline ...
Weight / Size	Model 3BXTD 8BXTD 10BXTD 15BXTD 20BXTD 25BXTD 45BXTD 60BXTD ...
Certificate	ABS, LR, BV, DNVGL, NK, KR, IRS, RMRS, CCS

We can supply according to your requirement, drawings, class certificate needs, and delivery schedule.

Technical Specifications			
Category	Marine Tools	Model / SKU	BXTD-Series-Driving-Hydraulic-Torque-Wrench
Standard	DIN	Material	BXTD Series-Driving Hydraulic Torque Wrench The full streamline shape combines modern industrial design with the perfect combination of aluminum titanium alloy and alloy steel.
Weight / Size	Model 3BXTD 8BXTD 10BXTD 15BXTD 20BXTD 25BXTD 45BXTD 60BXTD 85BXTD 120BXTD Torque 485 1071 1512 2013 2909 3679 6058 8440 12017 15936 (Nm) 4847 10712 15121 20130 29089 36795 60582 84403 120176 159355 Weight(Kg) 6.2 12.7 18.5 25 31.5 40.4 56 68 115 163 L1 210 258 279 318 340 350 380 422 452 510 L2 381 353 385 435 452 472 525 573 660 770 H1 55 76 81 88 95 103 112 135 175 235 H2 84 120 124 140.5 160 168 182 217 280 352 H3 200 255 278 292 313 335 386 403 450 520 R 35 46 50 56 63 70 80 85 110 125 Square Drive 1 1-1/2" 1-1/2" 2' 2-1/2' 2-1/2' 2-1/2' 3' 3-1/2' 4'	Certificate	ABS, LR, BV, DNVGL, NK, KR, IRS, RMRS, CCS
Warranty	12 Months unless specified otherwise	Origin	China

China BXTD Series-Driving Hydraulic Torque Wrench:

BXTD Series-Driving Hydraulic Torque Wrench



The full streamline shape combines modern industrial design with the perfect combination of aluminum titanium alloy and alloy steel.

The aluminum titanium alloy cylinder has high strength and high toughness.

Maximum working pressure 70MPa.

The precision small ratchet design has no stop structure and will not be stuck due to bolt twisting.

Tubing rotary joint 360 X 180°no space restriction, free operation.

The transmission parts are few,the mechanism is simple,the maintenance is easy, and the maintenance cost is low.

The compact integrated counterforce arm is designed with less load and longer durability.

From 485 to 280000Nm,There are 13 models which is the most complete type of similar products on the market, bolt cover the widest range of products.

Especially the most suitable choice for large torque pretightening bolts, such as turbine rotors.

Constant torque output, repeatability accuracy $\pm 3\%$.

A variety of driving shafts can be replaced,and the lengthening reaction force arm can be customized according to the field space.

Model	3BXTD	8BXTD	10BXTD	15BXTD	20BXTD	25BXTD	45BXTD	60BXTD	85BXT D	120BXT D
Torque	485	1071	1512	2013	2909	3679	6058	8440	12017	15936
(Nm)	4847	10712	15121	20130	29089	36795	60582	84403	120176	159355
Weight (Kg)	6.2	12.7	18.5	25	31.5	40.4	56	68	115	163
L1	210	258	279	318	340	350	380	422	452	510
L2	381	353	385	435	452	472	525	573	660	770
H1	55	76	81	88	95	103	112	135	175	235
H2	84	120	124	140.5	160	168	182	217	280	352
H3	200	255	278	292	313	335	386	403	450	520
R	35	46	50	56	63	70	80	85	110	125
Square Drive	1	1-1/2"	1-1/2"	2'	2-1/2'	2-1/2'	2-1/2'	3'	3-1/2'	4'