

Jinbo Marine

Marine & Offshore Equipment Datasheet

PRODUCT DATASHEET

MARINE STOCKLESS ANCHOR

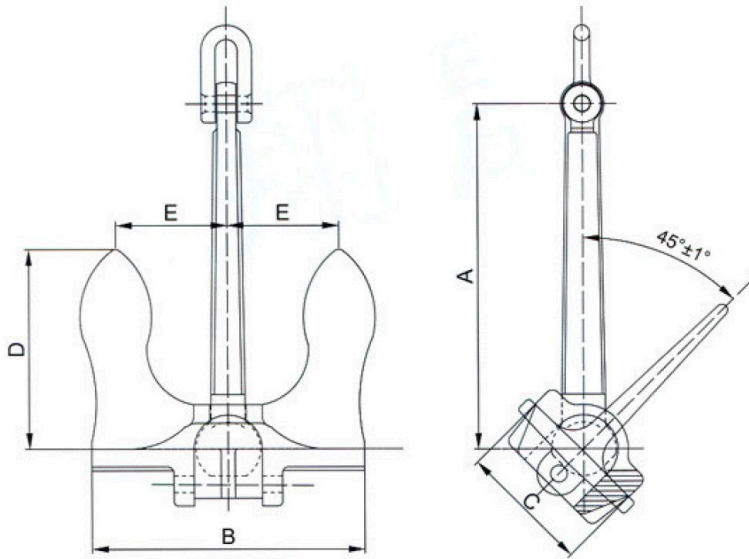
Baldt Stockless Anchor

Baldt Stockless Anchor is one of Stockless Anchor, Casting Steel Material, Approved by Classification Society; Cheap Price, Fast Delivery.

ISO9001 Supplier

Class Certificate

Export Supply



Key Highlights

Category	Marine Stockless Anchor
Standard	EN
Material	Casting Steel
Weight / Size	200KGS to 50000KGS
Certificate	ABS, LR, BV, DNV, GL, RINA, NK, KR, RS, IRS, CCS

We can supply according to your requirement, drawings, class certificate needs, and delivery schedule.

Technical Specifications

Category	Marine Stockless Anchor	Model / SKU	Baldt-Stockless-Anchor
Standard	EN	Material	Casting Steel
Weight / Size	200KGS to 50000KGS	Certificate	ABS, LR, BV, DNV, GL, RINA, NK, KR, RS, IRS, CCS
Warranty	12 Months unless specified otherwise	Origin	China

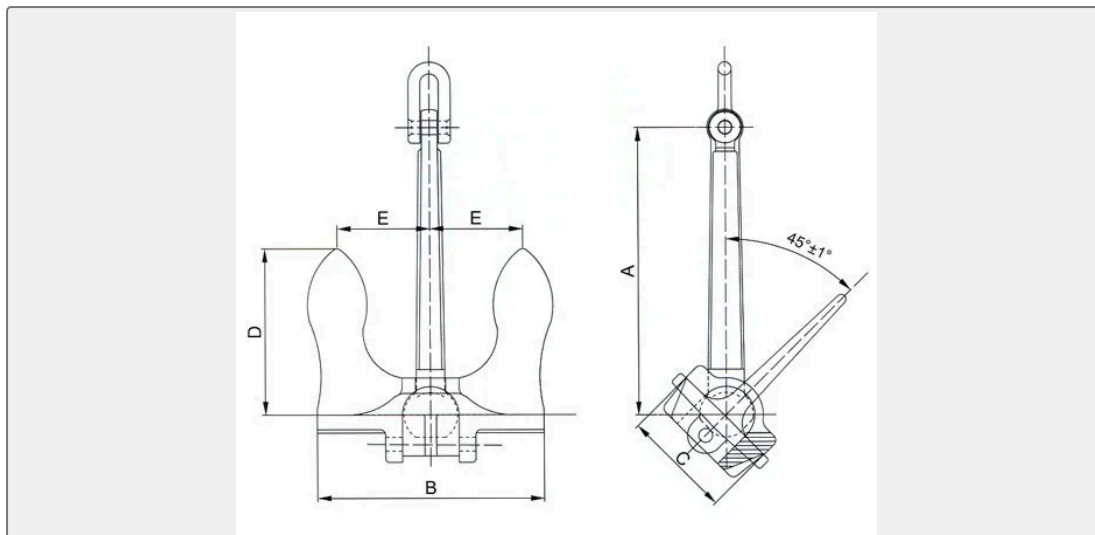
CONTENTS

■ China Baldt Stockless Anchor:

■ Baldt Anchor Weight:



China Baldt Stockless Anchor:



Baldt Stockless Anchor

Baldt anchor is a conventional type stockless anchor, material is casting steel, all range of Baldt can be supplied with Class Certificate.

Material: ZG200-400C

Weight: 200KGS to 50000KGS

Class Certificate: ABS, LR, BV, GL, DNV, NK, IRS and CCS.

Baldt Anchor Weight:

Weight/Mass (KG)	Size(mm)				
	A	B	C	D	E
200KGS	685	457	241	366	190.5
300KGS	812	590	296	442	230
400KGS	812	654	330	482	250
500KGS	900	673	356	530	287.5
750KGS	965	770	407	584	308
1000KGS	1067	854	457	640	347.5
1250KGS	1165	923	475	720	370
1500KGS	1232	1005	515	748	392
2000KGS	1370	1092	558	848	430
2100KGS	1370	1092	558	848	436
2500KGS	1473	1136	568	848	448
3000KGS	1625	1194	648	912	483
3500KGS	1625	1340	698	1003	500

4000KGS	1734	1354	705	1054	518
4500KGS	1794	1440	735	1066	563
5000KGS	1930	1460	762	1130	588
6000KGS	1930	1613	844	1194	641.5
6300KGS	1930	1613	844	1194	641.5
7000KGS	2082	1691	882	1263	668
8000KGS	2265	1691	894	1276	668
9000KGS	2438	1784	924	1314	695
10000KGS	2438	1918	990	1470	725
11000KGS	2438	1918	990	1473	778
12000KGS	2438	1950	1016	1473	778
13000KGS	2489	1949	1016	1473	799
14000KGS	2616	2045	1118	1524	818
15000KGS	2616	2184	1168	1600	875
16000KGS	2738	2184	1168	1651	875
17200KGS	2738	2184	1222	1660	875
18000KGS	2850	2240	1232	1667	888
20000KGS	2840	2440	1270	1866	990
25000KGS	3048	2616	1365	1968	990
30000KGS	3251	2794	1454	2096	1052
35000KGS	3429	2946	1524	2210	1107
40000KGS	3556	3073	1600	2311	1157
45000KGS	3733	3200	1651	2388	1203
50000KGS	3860	3327	1727	2515	1246

Other anchors

