

# Jinbo Marine

Marine & Offshore Equipment Datasheet

PRODUCT DATASHEET

MARINE FLUORESCENT LIGHTS

## Bedside lamp CKS21

Type Voltage Iiluminant Power Lampholder Material ...

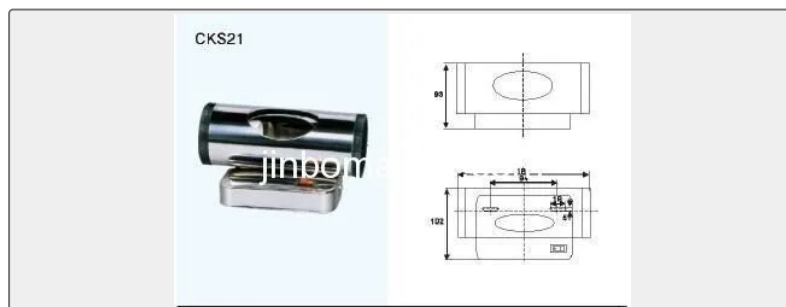
- ISO9001 Supplier
- Class Certificate
- Export Supply

|                      |  |                 |                           |                 |    |                 |   |                      |   |                    |
|----------------------|--|-----------------|---------------------------|-----------------|----|-----------------|---|----------------------|---|--------------------|
|                      | <h3>Key Highlights</h3>  |                 |                           |                 |    |                 |   |                      |   |                    |
|                      | <table border="1"> <tr> <td><b>Category</b></td> <td>Marine Fluorescent Lights</td> </tr> <tr> <td><b>Standard</b></td> <td>EN</td> </tr> <tr> <td><b>Material</b></td> <td>Type Voltage Iiluminant Power Lampholder Material Weight CKS2 24/110V/22...</td> </tr> <tr> <td><b>Weight / Size</b></td> <td>Type Voltage Iiluminant Power Lampholder Material Weight CKS2 24/110V/22...</td> </tr> <tr> <td><b>Certificate</b></td> <td>ABS, LR, BV, DNVGL, NK, KR, IRS, RMRS, CCS</td> </tr> </table> <p>We can supply according to your requirement, drawings, class certificate needs, and delivery schedule.</p> | <b>Category</b> | Marine Fluorescent Lights | <b>Standard</b> | EN | <b>Material</b> | Type Voltage Iiluminant Power Lampholder Material Weight CKS2 24/110V/22... | <b>Weight / Size</b> | Type Voltage Iiluminant Power Lampholder Material Weight CKS2 24/110V/22... | <b>Certificate</b> |
| <b>Category</b>      | Marine Fluorescent Lights  |                 |                           |                 |    |                 |   |                      |   |                    |
| <b>Standard</b>      | EN   |                 |                           |                 |    |                 |   |                      |   |                    |
| <b>Material</b>      | Type Voltage Iiluminant Power Lampholder Material Weight CKS2 24/110V/22...  |                 |                           |                 |    |                 |   |                      |   |                    |
| <b>Weight / Size</b> | Type Voltage Iiluminant Power Lampholder Material Weight CKS2 24/110V/22...  |                 |                           |                 |    |                 |   |                      |   |                    |
| <b>Certificate</b>   | ABS, LR, BV, DNVGL, NK, KR, IRS, RMRS, CCS   |                 |                           |                 |    |                 |   |                      |   |                    |



| Technical Specifications |   |                    |   |
|--------------------------|---|--------------------|---|
| <b>Category</b>          | Marine Fluorescent Lights   | <b>Model / SKU</b> | Bedside-lamp-CKS21  |
| <b>Standard</b>          | EN  | <b>Material</b>    | Type Voltage liluminant Power<br>Lampholder Material Weight CKS2<br>24/110V/220V Incandescent light<br>15W-25W E27 Steel 1.20kg<br>CKS21 24/110V/220V<br>Incandescent light 15W-25W E27<br>Steel 0.90kg CKS21-A<br>24/110V/220V Incandescent light<br>15W-25W E27 Stainless steel<br>0.85kg CKS3 24/110V/220V<br>Incandescent light 15W-40W E27<br>Engineering plastic 0.90kg |
| <b>Weight / Size</b>     | Type Voltage liluminant Power<br>Lampholder Material Weight CKS2<br>24/110V/220V Incandescent light<br>15W-25W E27 Steel 1.20kg<br>CKS21 24/110V/220V<br>Incandescent light 15W-25W E27<br>Steel 0.90kg CKS21-A<br>24/110V/220V Incandescent light<br>15W-25W E27 Stainless steel<br>0.85kg CKS3 24/110V/220V<br>Incandescent light 15W-40W E27<br>Engineering plastic 0.90kg | <b>Certificate</b> | ABS, LR, BV, DNVGL, NK, KR,<br>IRS, RMRS, CCS   |
| <b>Warranty</b>          | 12 Months unless specified<br>otherwise   | <b>Origin</b>      | China   |

## China Bedside lamp CKS21:



| Type  | Voltage      | liluminant         | Power   | Lampholder | Material | Weight |
|-------|--------------|--------------------|---------|------------|----------|--------|
| CKS2  | 24/110V/220V | Incandescent light | 15W-25W | E27        | Steel    | 1.20kg |
| CKS21 | 24/110V/220V | Incandescent light | 15W-25W | E27        | Steel    | 0.90kg |



|         |              |                    |         |     |                     |        |
|---------|--------------|--------------------|---------|-----|---------------------|--------|
| CKS21-A | 24/110V/220V | Incandescent light | 15W-25W | E27 | Stainless steel     | 0.85kg |
| CKS3    | 24/110V/220V | Incandescent light | 15W-40W | E27 | Engineering plastic | 0.90kg |