

Jinbo Marine

Marine & Offshore Equipment Datasheet

PRODUCT DATASHEET

JIS MARINE GLOBE VALVE

Bronze BSP Female Threaded Globe Valve

ISO9001 Supplier

Class Certificate

Export Supply

Bronze Globe Valve with threaded bonnet, metal seated, straight and angle pattern. BSP female threaded connection, inside screwed stem and rising handwheel. Specification:
Application: water, oil, air, and gas...



Key Highlights

Category	JIS Marine Globe Valve
Material	Bronze
Weight / Size	Disc---Brass 4.Stem---Brass Main Size:
Certificate	ABS, LR, BV, DNVGL, NK, KR, IRS, RMRS, CCS

We can supply according to your requirement, drawings, class certificate needs, and delivery schedule.

Technical Specifications

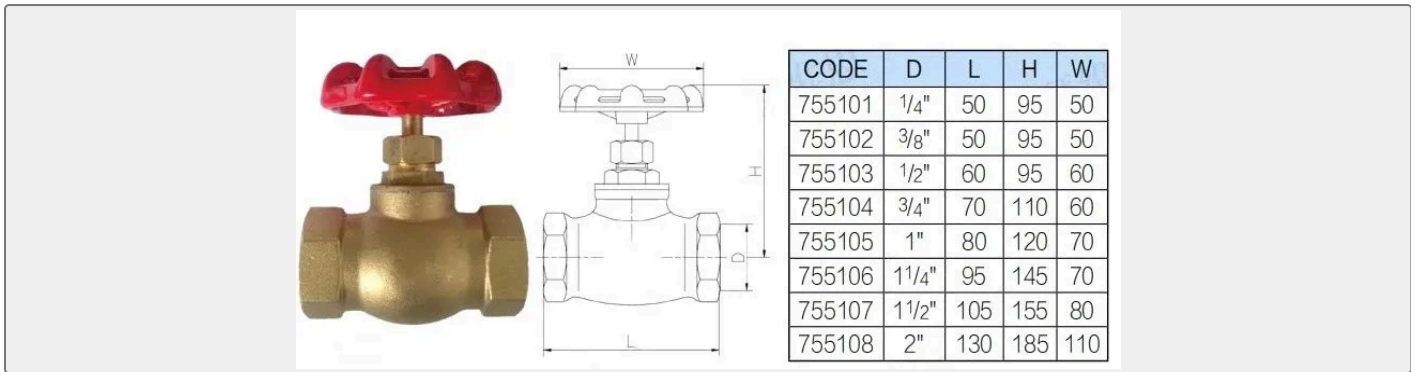
Category	JIS Marine Globe Valve	Model / SKU	Bronze-BSP-Female-Threaded-Globe-Valve
Material	Bronze	Weight / Size	Disc---Brass 4.Stem---Brass Main Size:
Certificate	ABS, LR, BV, DNVGL, NK, KR, IRS, RMRS, CCS	Warranty	12 Months unless specified otherwise
Origin	China		

CONTENTS

- China Bronze BSP Female Threaded Globe Valve:
- Specification:
- Main Parts & Material:
- Main Size:



China Bronze BSP Female Threaded Globe Valve:



Bronze Globe Valve with threaded bonnet, metal seated, straight and angle pattern. BSP female threaded connection, inside screwed stem and rising handwheel.

Specification:

Application: water, oil, air, and gas

Max Pressure ; 16Bar

Main Parts & Material:

1. Body---Bronze
2. Bonnet--Brass
3. Disc---Brass
4. Stem---Brass

Main Size:

IMPA CODE	DN	L	H	W
755101	1/4"	50	95	50
755102	3/8"	50	95	50
755103	1/2"	60	95	60
755104	3/4"	70	110	70
755105	1"	80	120	70
755106	1-1/4"	95	145	70
755107	1-1/2"	105	155	80
755108	2"	130	185	110
755109	2-1/2"	155	245	130
755110	3"	180	280	150