

Jinbo Marine

Marine & Offshore Equipment Datasheet

PRODUCT DATASHEET

CB MARINE DRAIN VALVE

Bronze Self-Cosing Drain Valve CB/T601-92

ISO9001 Supplier

Class Certificate

Export Supply

Marine Self-closing Drain Valve is used on the pipe system with the medium sea water, fresh water, fuel oil, lubrication oil. Technical Specification: Design Standard:CB/T601-92 Test Standard: GB600 ...



Key Highlights

Category	CB Marine Drain Valve
Standard	GB
Material	Bronze, Cast Steel
Weight / Size	Type Name Nominal pressure(Mpa) Nominal Diameter(mm) A flange size as pe...
Certificate	cc

We can supply according to your requirement, drawings, class certificate needs, and delivery schedule.

Technical Specifications

Category	CB Marine Drain Valve	Model / SKU	Bronze-Self-Cosing-Drain-Valve-CB-T601-92
Standard	GB	Material	Bronze, Cast Steel
Weight / Size	Type Name Nominal pressure(Mpa) Nominal Diameter(mm) A flange size as per GB569 0.25 15,25,40 AS flange size as per GB2501 Main Parts & Material:	Certificate	cc
Warranty	12 Months unless specified otherwise	Origin	China

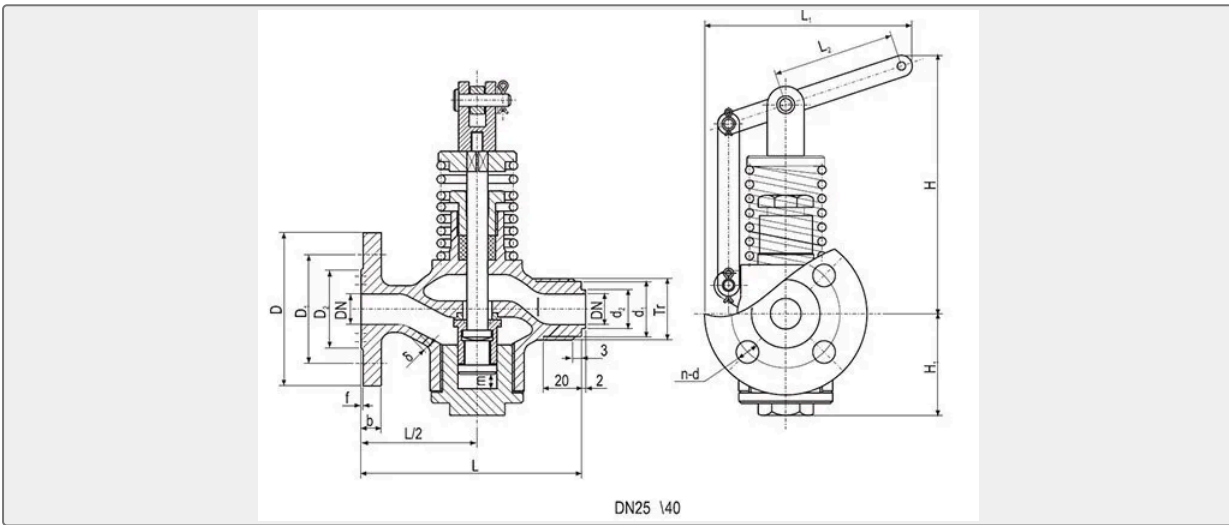
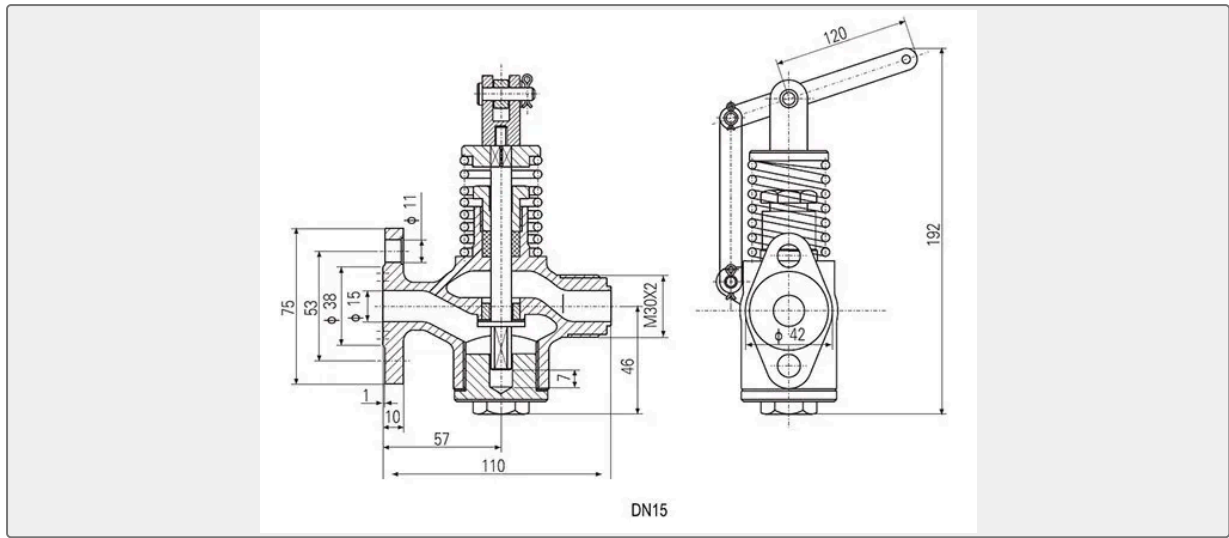
CONTENTS

- China Bronze Self-Cosing Drain Valve CB/T601-92:
- Main Parts & Material:
- Technical Specification:
- Main Size List(mm):



0.055045s

China Bronze Self-Closing Drain Valve CB/T601-92:



Marine Self-closing Drain Valve is used on the pipe system with the medium sea water, fresh water, fuel oil, lubrication oil.

Technical Specification:

Design Standard: CB/T601-92

Test Standard: GB600

Thread Standard: CB3019

Type U- one side is with flange, another side is with thread

Type F- two sides are flange connection.

Type	Name	Nominal pressure(Mpa)	Nominal Diameter(mm)
A	flange size as per GB569	0.25	15,25,40
AS	flange size as per GB2501		

Main Parts & Material:

Body: Bronze / Cast Steel



Seat: Bronze

Disc: Bronze

Stem: Bronze

Spring: Carbon spring steel wire

Main Size List(mm):

For Type A : (Flange size ad per GB569, DN15 size as per the drawing)

nominal diameter	Structure Dimension						Flange								screw end			Lift Range m	Weight (kg)
	L	L1	L2	H	H1	δ	D	D1	D2	b	f	n	d	Th.	d1	d2			
25	136	183	130	168	62	6	105	73	56	12	1	4	13	M42×2	39	29	10	3.1	
40	170	203	140	195	80	7	125	93	74	13	1	6	15	—	—	—	13	6.9	

For Type AS (Flange size as per GB2501):

nominal diameter	Structure Dimension						Flange								screw end			Lift Range m	Weight (kg)
	L	L1	L2	H	H1	δ	D	D1	D2	b	f	n	d	Th.	d1	d2			
15	130	165	120	146	46	4	80	55	40	12	2	4	11	M30×2	27	19	7	1.75	
25	160	183	130	168	62	6	100	75	60	14	2	4	11	M42×2	39	29	10	3.64	
40	200	203	140	195	80	7	130	100	80	16	3	4	14	—	—	—	13	6.93	