

# Jinbo Marine

Marine &amp; Offshore Equipment Datasheet

PRODUCT DATASHEET

## CB MARINE DRAIN VALVE

# Bronze Self-Cosing Drain Valve CBM1078-81 Type U

ISO9001 Supplier

Class Certificate

Export Supply

Self-closing Drain Valve is used on the pipe system with the medium sea water, fresh water, fuel oil, lubrication oil. Technical Specification: Design Standard: CBM1078-81 Test Standard: GB600 Thr...



### Key Highlights

Category	CB Marine Drain Valve
Standard	GB
Material	Bronze
Weight / Size	Type Name Nominal Pressure (Kgf/cm2) Nominal Size(mm) Applicable Medium...
Certificate	CCS, BV, ABS, GL, LR, DNV, NK,RINA, KR,IRS

We can supply according to your requirement, drawings, class certificate needs, and delivery schedule.

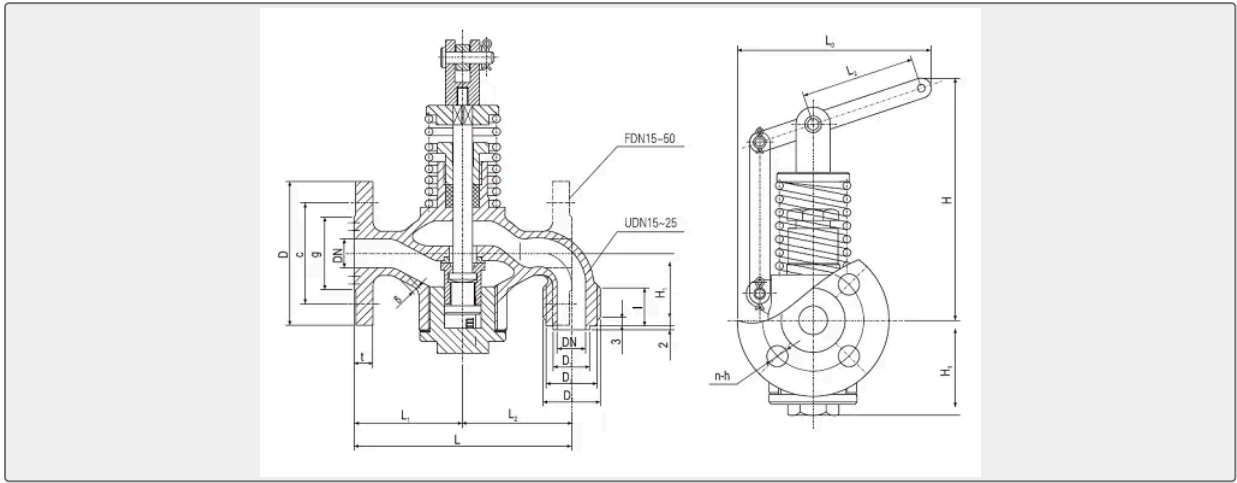
### Technical Specifications

Category	CB Marine Drain Valve	Model / SKU	Bronze-Self-Cosing-Drain-Valve-CBM1078-81-Type-U
Standard	GB	Material	Bronze
Weight / Size	Type Name Nominal Pressure (Kgf/cm2) Nominal Size(mm) Applicable Medium F Straight Drain Valve 1 15,25,40,50 Fuel oil, lubrication oil and fresh water U Elbow Drain Valve Main Parts & Material:	Certificate	CCS, BV, ABS, GL, LR, DNV, NK,RINA, KR,IRS
Warranty	12 Months unless specified otherwise	Origin	China



<b>CONTENTS</b>	■ China Bronze Self-Cosing Drain Valve CBM1078-81 Type U:	■ Technical Specification:
	■ Main Parts & Material:	■ Main Size List(mm):

## China Bronze Self-Cosing Drain Valve CBM1078-81 Type U:



Self-closing Drain Valve is used on the pipe system with the medium sea water, fresh water, fuel oil, lubrication oil.

### Technical Specification:

Design Standard: CBM1078-81

Test Standard: GB600

Thread Standard: CB821

Operation Type: Lever type or Press type

Type U- Elbow type, one side is with flange, another side is with thread

Type F- Straight type, two sides are flange connection.

Type	Name	Nominal Pressure (Kgf/cm <sup>2</sup> )	Nominal Size(mm)	Applicable Medium
F	Straight Drain Valve	1	15,25,40,50	Fuel oil, lubrication oil and fresh water
U	Elbow Drain Valve			

### Main Parts & Material:

Body: Bronze / Cast Steel

Seat: Bronze

Disc: Bronze

Stem: Bronze

Spring: Carbon spring steel wire



## Main Size List(mm):

nomin al diamet er	structure dimension					flange					bolt		Thread				hand le LO	Lift Range m	Weight (kg)	
	L	L 1	L 2	H	H 1	D	C	g	h	t	n	Th.	D1	D 2	D 3	L			F	U
15	10 0	5 0	5 0	14 6	40	95	70	52	1 5	1 2	4	M1 2	M30 ×2	27	19	2 0	120	8	2.5	2. 1
25	13 0	6 5	6 5	16 4	60	12 5	90	70	1 9	1 4	4	M1 6	M42 ×2	39	29	2 0	130	10	5.3	4. 2
40	18 0	-	-	19 5	-	14 0	10 5	85	1 9	1 6	4	M1 6	-	-	-	-	140	13	8.0	-
50	22 0	-	-	21 5	-	15 5	12 0	10 0	1 9	1 6	4	M1 6	-	-	-	-	140	15	10. 4	-