

# Jinbo Marine

Marine &amp; Offshore Equipment Datasheet

PRODUCT DATASHEET

## CB MARINE DRAIN VALVE

# Bronze Self-Cosing Drain Valve CBM1078 Type F

ISO9001 Supplier

Class Certificate

Export Supply

Self-closing Drain Valve is used on the pipe system with the medium sea water, fresh water, fuel oil, lubrication oil. Technical Specification: Design Standard: CBM1078-81 Test Standard: GB600 Thr...



### Key Highlights

Category	CB Marine Drain Valve
Standard	GB
Material	Bronze
Weight / Size	Type Name Nominal Pressure (Kgf/cm2) Nominal Size(mm) Applicable Medium...
Certificate	CCS, BV, ABS, GL, LR, DNV, NK,RINA, KR,IRS

We can supply according to your requirement, drawings, class certificate needs, and delivery schedule.

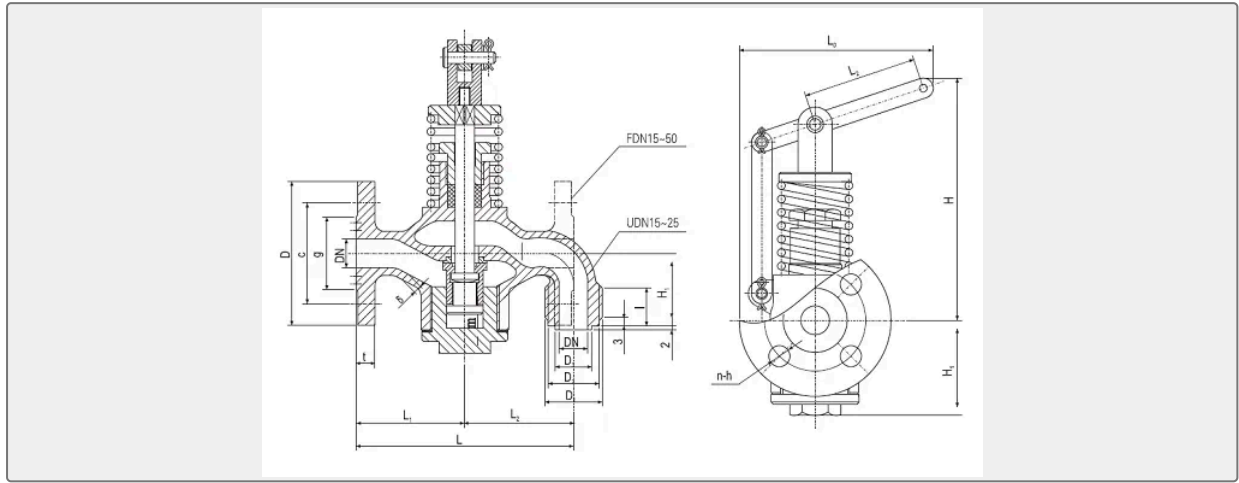
### Technical Specifications

Category	CB Marine Drain Valve	Model / SKU	Bronze-Self-Cosing-Drain-Valve-CBM1078-Type-F
Standard	GB	Material	Bronze
Weight / Size	Type Name Nominal Pressure (Kgf/cm2) Nominal Size(mm) Applicable Medium F Straight Drain Valve 1 15,25,40,50 Fuel oil, lubrication oil and fresh water U Elbow Drain Valve Main Parts & Material:	Certificate	CCS, BV, ABS, GL, LR, DNV, NK,RINA, KR,IRS
Warranty	12 Months unless specified otherwise	Origin	China



<b>CONTENTS</b>	■ China Bronze Self-Cosing Drain Valve CBM1078 Type F:	■ Technical Specification:
	■ Main Parts & Material:	■ Main Size List(mm):

## China Bronze Self-Cosing Drain Valve CBM1078 Type F:



Self-closing Drain Valve is used on the pipe system with the medium sea water, fresh water, fuel oil, lubrication oil.

### Technical Specification:

Design Standard: CBM1078-81

Test Standard: GB600

Thread Standard: CB821

Operation Type: Lever type or Press type

Type U- Elbow type, one side is with flange, another side is with thread

Type F- Straight type, two sides are flange connection.

Type	Name	Nominal Pressure (Kgf/cm <sup>2</sup> )	Nominal Size(mm)	Applicable Medium
F	Straight Drain Valve	1	15,25,40,50	Fuel oil, lubrication oil and fresh water
U	Elbow Drain Valve			

### Main Parts & Material:

Body: Bronze / Cast Steel

Seat: Bronze

Disc: Bronze

Stem: Bronze

Spring: Carbon spring steel wire

## Main Size List(mm):

nomin al diameter	structure dimension					flange					bolt		Thread				hand le LO	Lift Range m	Weight (kg)	
	L	L 1	L 2	H	H 1	D	C	g	h	t	n	Th.	D1	D 2	D 3	L			F	U
15	100	50	50	146	40	95	70	52	15	12	4	M12	M30×2	27	19	20	120	8	2.5	2.1
25	130	65	65	164	60	125	90	70	19	14	4	M16	M42×2	39	29	20	130	10	5.3	4.2
40	180	-	-	195	-	140	105	85	19	16	4	M16	-	-	-	-	140	13	8.0	-
50	220	-	-	215	-	155	120	100	19	16	4	M16	-	-	-	-	140	15	10.4	-