

Jinbo Marine

Marine & Offshore Equipment Datasheet

PRODUCT DATASHEET

SHACKLE

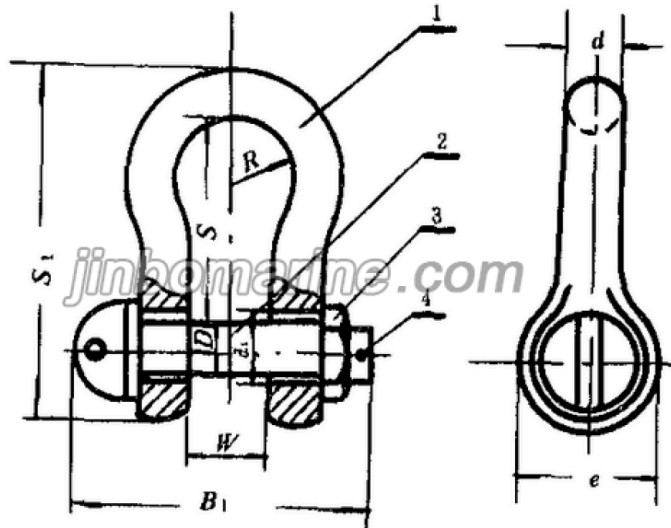
C Type Alloy Shackle CB3061

C Type Alloy Shackle CB3061 Specification SWL(Ton) D d e W B1 S s1...

ISO9001 Supplier

Class Certificate

Export Supply



Key Highlights

Category	Shackle
Standard	CB
Weight / Size	C Type Alloy Shackle CB3061 Specification SWL(Ton) D d e W B1 S s1 d1 We...
Certificate	ABS, LR, BV, DNVGL, NK, KR, IRS, RMRS, CCS

We can supply according to your requirement, drawings, class certificate needs, and delivery schedule.

Technical Specifications			
Category	Shackle	Model / SKU	C-Type-Alloy-Shackle-CB3061
Standard	CB	Weight / Size	C Type Alloy Shackle CB3061 Specification SWL(Ton) D d e W B1 S s1 d1 Weight 5 28 26 56 44 150 111 179 29 2.6 6.3 32 29 64 50 162 124 201 33 3.6 8 36 33 72 56 186 140 227 37 5.4 10 40 36 80 63 205 157 253 42 7.3 12.5 44 41 88 70 232 175 282 46 10.3 16 50 46 100 79 251 198 319 52 14.3 20 56 51 112 89 280 221 356 58 19.9 25 63 57 126 99 310 248 399.5 65 28.1 32 71 65 142 112 348 280 451.5 73 40.9 40 79 72 158 125 385 313 503.5 81 55.4 50 89 81 178 140 430 353 564.5 91 80.6 63 100 91 200 157 473 394 634 103 112.3 80 112 102 224 177 533 444 714 115 158.6 100 126 114 252 200 591 500 803 129 222.1 125 141 128 282 221 652 560 899.5 144 310.3
Certificate	ABS, LR, BV, DNVGL, NK, KR, IRS, RMRS, CCS	Warranty	12 Months unless specified otherwise
Origin	China		

C Type Alloy Shackle CB3061 Specification

SWL(Ton)	D	d	e	W	B1	S	s1	d1	Weight
5	28	26	56	44	150	111	179	29	2.6
6.3	32	29	64	50	162	124	201	33	3.6
8	36	33	72	56	186	140	227	37	5.4
10	40	36	80	63	205	157	253	42	7.3
12.5	44	41	88	70	232	175	282	46	10.3
16	50	46	100	79	251	198	319	52	14.3
20	56	51	112	89	280	221	356	58	19.9
25	63	57	126	99	310	248	399.5	65	28.1
32	71	65	142	112	348	280	451.5	73	40.9
40	79	72	158	125	385	313	503.5	81	55.4
50	89	81	178	140	430	353	564.5	91	80.6

63	100	91	200	157	473	394	634	103	112.3
80	112	102	224	177	533	444	714	115	158.6
100	126	114	252	200	591	500	803	129	222.1
125	141	128	282	221	652	560	899.5	144	310.3