

# Jinbo Marine

Marine & Offshore Equipment Datasheet

PRODUCT DATASHEET

## MARINE AIR CONDITIONER

# CAW Marine Air Conditioner

Description: CAW marine air conditioner is one of the air conditioning systems that should be used together with water chilling unit, it is featured by compact structure, low vibration, low noise and easy ...

ISO9001 Supplier

Class Certificate

Export Supply



### Key Highlights

|               |   |
|---------------|---|
| Category      | Marine Air Conditioner  |
| Standard      | DIN   |
| Weight / Size | Model CAW-23 CAW-35 CAW-47 CAW-58 CAW-70 CAW-82 CAW-93 CAW-105 CAW-116 C... |
| Certificate   | CCS, BV, ABS, GL , LR, NK   |

We can supply according to your requirement, drawings, class certificate needs, and delivery schedule.



0.057898s

| Technical Specifications |                           |                      |   |
|--------------------------|---------------------------|----------------------|---|
| <b>Category</b>          | Marine Air Conditioner    | <b>Model / SKU</b>   | CAW-Marine-Air-Conditioner  |
| <b>Standard</b>          | DIN                       | <b>Weight / Size</b> | Model CAW-23 CAW-35 CAW-47 CAW-58 CAW-70 CAW-82 CAW-93 CAW-105 CAW-116 CAW-151 CAW-175 Cooling Capacity kw 23 35 47 58 70 82 93 105 116 151 175 Heating Capacity kw 37 40 54 70 82 93 105 116 134 167 186 Regenerating medium 7°Ccooling fresh water Heating Medium ≥45°C heating fresh water 0.3-0.4 Mpa steam Heating system consumption kg/h 60 80 99 120 140 159 182 198 228 284 317 Humidifying steam consumption kg/h 9 12 16 19 22 25 28 30 35 44 49 Air flow m3/h 3200 3700 4200 5000 6200 7200 8200 9000 10500 13100 15100 Fan motor power Kw 2.2 3 5.5 5.5 7.5 11 11 15 15 15 22.5 Power Supply AC380V 3PH 50HZ/AC 440V 3PH 60HZ Weight kg 70 800 900 950 1000 1050 1150 1200 1450 1700 1800 Dimension: |
| <b>Certificate</b>       | CCS, BV, ABS, GL , LR, NK | <b>Warranty</b>      | 12 Months unless specified otherwise  |
| <b>Origin</b>            | China                     |                      |   |


|                 |                |                   |
|-----------------|----------------|-------------------|
| <b>CONTENTS</b> | ■ Description: | ■ Technical Data: |
|                 | ■ Dimension:   |                   |

## Description:

CAW marine air conditioner is one of the air conditioning systems that should be used together with water chilling unit, it is featured by compact structure, low vibration, low noise and easy installation.

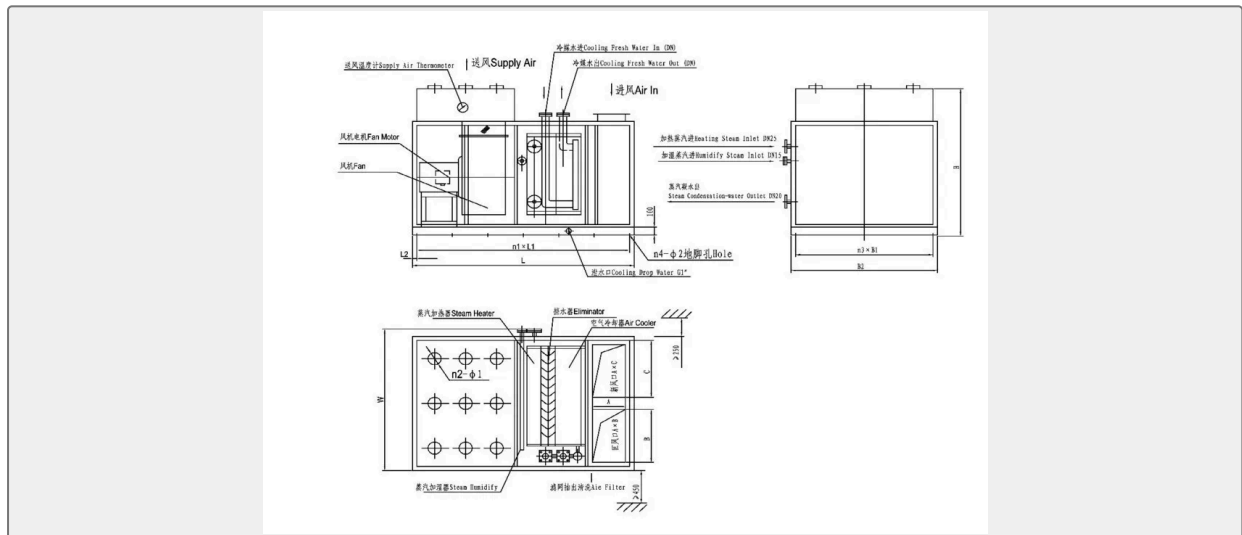
CAW marine air conditioner mainly consists of air filter, air heat exchanger, fan, motor and electrical control cabinet, etc. in addition, flow control valve station can be provided in full sets according to the requirement of user.

## Technical Data:

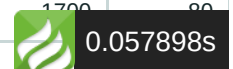
| Model               | CAW-23 | CAW-35 | CAW-47 | CAW-58 | CAW-70 | CAW-82 | CAW-93 | CAW-105 | CAW-116 | CAW-151   | CAW-175 |
|---------------------|--------|--------|--------|--------|--------|--------|--------|---------|---------|---|---------|
| Cooling Capacity kw | 23     | 35     | 47     | 58     | 70     | 82     | 93     | 105     | 116     |  0.057898s |         |

|                                    |   |      |      |      |      |      |      |      |       |       |       |
|------------------------------------|---|------|------|------|------|------|------|------|-------|-------|-------|
| Heating Capacity kw                | 37  | 40   | 54   | 70   | 82   | 93   | 105  | 116  | 134   | 167   | 186   |
| Regenerating medium                | 7°C cooling fresh water                     |      |      |      |      |      |      |      |       |       |       |
| Heating Medium                     | ≥45°C heating fresh water 0.3-0.4 Mpa steam |      |      |      |      |      |      |      |       |       |       |
| Heating system consumption kg/h    | 60  | 80   | 99   | 120  | 140  | 159  | 182  | 198  | 228   | 284   | 317   |
| Humidifying steam consumption kg/h | 9   | 12   | 16   | 19   | 22   | 25   | 28   | 30   | 35    | 44    | 49    |
| Air flow m3/h                      | 3200  | 3700 | 4200 | 5000 | 6200 | 7200 | 8200 | 9000 | 10500 | 13100 | 15100 |
| Fan motor power Kw                 | 2.2   | 3    | 5.5  | 5.5  | 7.5  | 11   | 11   | 15   | 15    | 15    | 22.5  |
| Power Supply                       | AC380V 3PH 50HZ/AC 440V 3PH 60HZ            |      |      |      |      |      |      |      |       |       |       |
| Weight kg                          | 70  | 800  | 900  | 950  | 1000 | 1050 | 1150 | 1200 | 1450  | 1700  | 1800  |

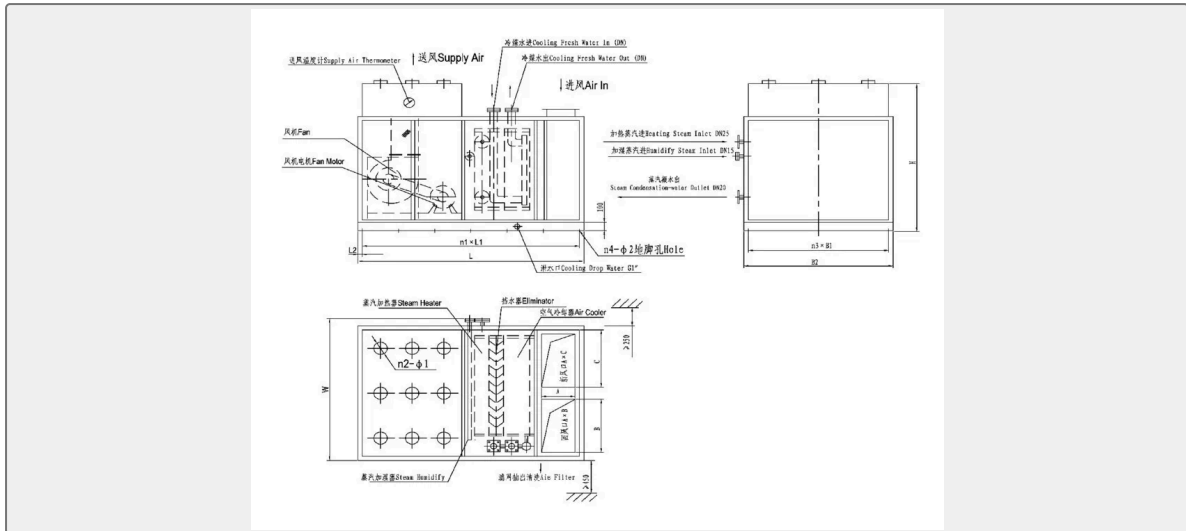
**Dimension:**



| Type   | L    | W    | H    | n1XL1 | L2   | n3xB1 | B2   | DN |
|--------|------|------|------|-------|------|-------|------|----|
| CAW23  | 1900 | 1000 | 1400 | 3X620 | 20   | 2X430 | 900  | 32 |
| CAW35  | 1950 | 1050 | 1460 | 3X634 | 24   | 2X451 | 950  | 40 |
| CAW47  | 2050 | 1080 | 1520 | 3X665 | 27.5 | 2X465 | 980  | 40 |
| CAW58  | 2100 | 1170 | 1570 | 3X684 | 24   | 2X511 | 1070 | 40 |
| CAW70  | 2240 | 1500 | 1670 | 4X548 | 24   | 2X676 | 1400 | 50 |
| CAW82  | 2400 | 1600 | 1750 | 5X450 | 25   | 2X750 | 1500 | 50 |
| CAW93  | 2400 | 1600 | 1750 | 5X450 | 25   | 2X750 | 1500 | 65 |
| CAW105 | 2600 | 1700 | 1750 | 5X510 | 25   | 2X775 | 1600 | 65 |
| CAW116 | 2600 | 1700 | 1750 | 5X510 | 25   | 2X775 | 1600 | 65 |
| CAW151 | 2700 | 1800 | 1750 | 6X440 | 30   | 4X410 | 1700 | 80 |



|        |      |      |      |       |    |       |      |    |
|--------|------|------|------|-------|----|-------|------|----|
| CAW175 | 2800 | 1900 | 1850 | 6X460 | 20 | 4X410 | 1800 | 80 |
|--------|------|------|------|-------|----|-------|------|----|



| Type    | L    | W    | H    | n1XL1 | L2 | n3xB1 | B2   | DN  |
|---------|------|------|------|-------|----|-------|------|-----|
| CAW-186 | 3200 | 1900 | 1900 | 5X628 | 60 | 4X435 | 1800 | 100 |
| CAW-210 | 3300 | 2100 | 1950 | 5X648 | 60 | 4X485 | 2000 | 100 |
| CAW-232 | 3500 | 2100 | 2170 | 5X688 | 60 | 4X485 | 2000 | 125 |
| CAW-250 | 3600 | 2200 | 2270 | 5X708 | 60 | 4X510 | 2100 | 125 |
| CAW-291 | 3800 | 2200 | 2370 | 5X748 | 60 | 4X510 | 2100 | 125 |

